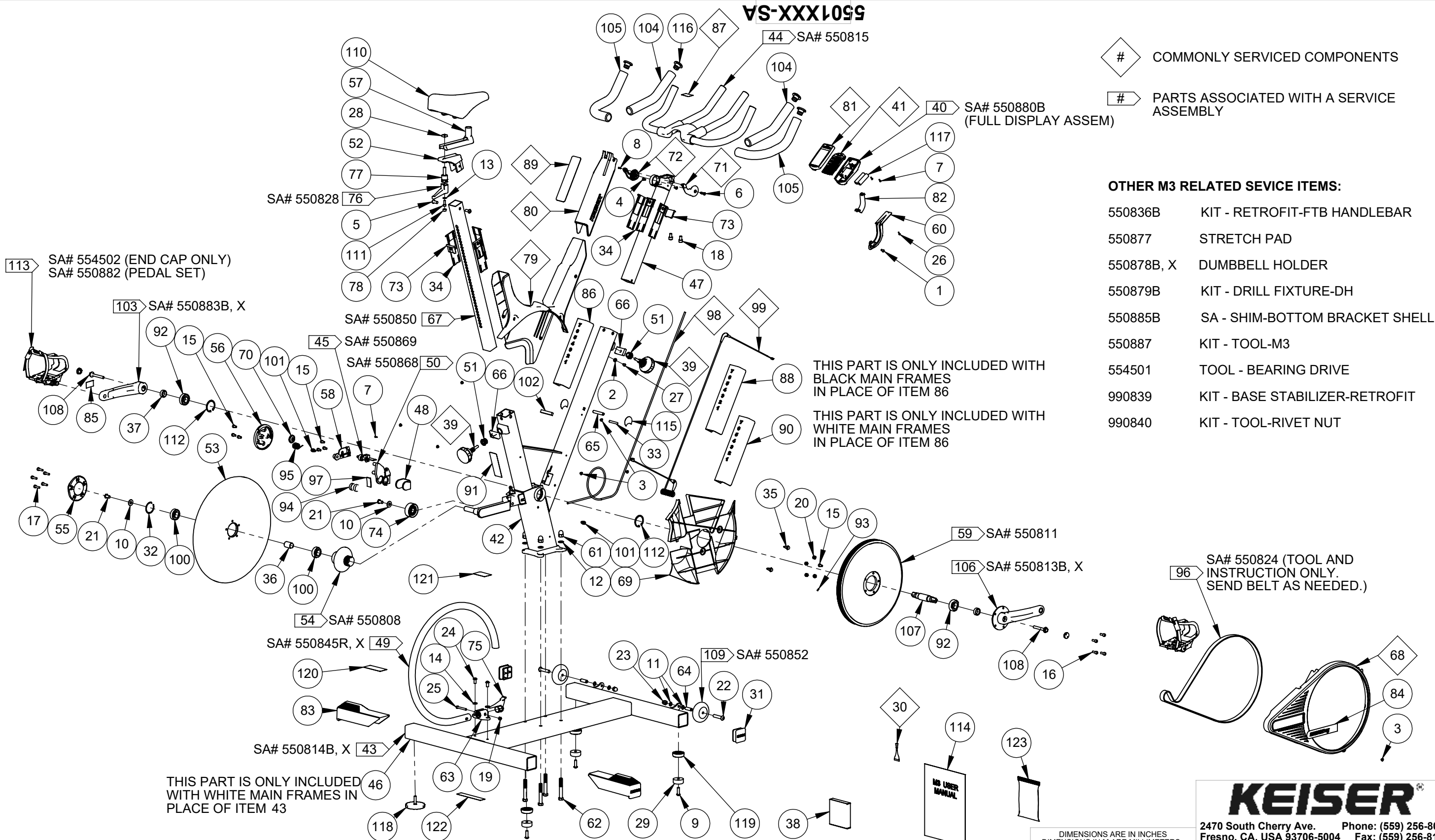


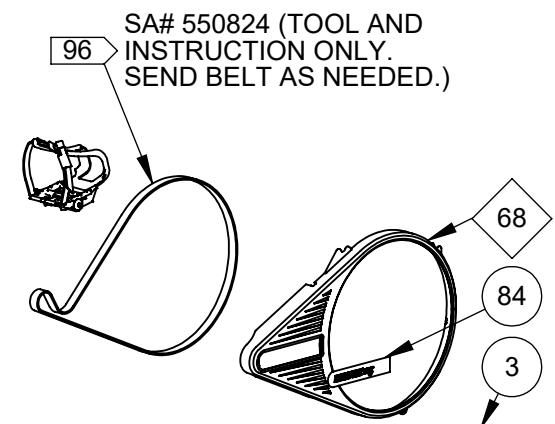
VS-XXX1099



COMMONLY SERVICED COMPONENTS
 # PARTS ASSOCIATED WITH A SERVICE ASSEMBLY

- OTHER M3 RELATED SEVICE ITEMS:**
- 550836B KIT - RETROFIT-FTB HANDLEBAR
 - 550877 STRETCH PAD
 - 550878B, X DUMBBELL HOLDER
 - 550879B KIT - DRILL FIXTURE-DH
 - 550885B SA - SHIM-BOTTOM BRACKET SHELL
 - 550887 KIT - TOOL-M3
 - 554501 TOOL - BEARING DRIVE
 - 990839 KIT - BASE STABILIZER-RETROFIT
 - 990840 KIT - TOOL-RIVET NUT

THIS PART IS ONLY INCLUDED WITH BLACK MAIN FRAMES IN PLACE OF ITEM 86
 THIS PART IS ONLY INCLUDED WITH WHITE MAIN FRAMES IN PLACE OF ITEM 86



THIS PART IS ONLY INCLUDED WITH WHITE MAIN FRAMES IN PLACE OF ITEM 43

NOTE:
 (1) 5501XXX-SA COVERS THE FOLLOWING MODELS: 5501PBN, 5501PBC, 5501WBC, 5501XXC, 5501XXN, 5501BBC, AND 5501BBN
 (2) FOR PN 5501PBN, 5501XXN, & 5501BBN DISREGARD ITEMS PERTAINING TO THE COMPUTER.
 ITEMS: 1,26,40,41,45,60,70,81,82,87,99 & 117
 (3) ITEM 46 IS FOR THE 5501WBC BIKE ONLY

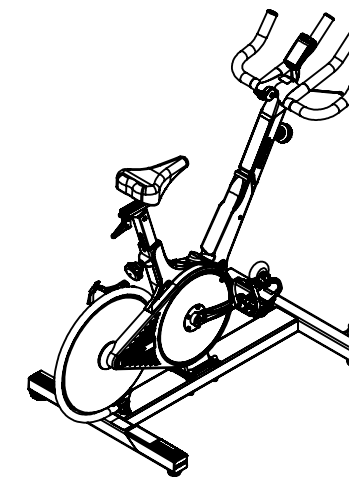
KEISER
 2470 South Cherry Ave. Phone: (559) 256-8000
 Fresno, CA, USA 93706-5004 Fax: (559) 256-8100
 THE INFORMATION DISCLOSED HEREIN WAS ORIGINATED BY AND IS THE PROPERTY OF KEISER CORP. AND ALL PATENT, PROPRIETARY, DESIGN, USE, SALE, MANUFACTURING, AND REPRODUCTION RIGHTS THERETO ARE RESERVED BY KEISER CORP.

DRAWN BY: BJU	DATE DRAWN: 11/17/20	CHECKED BY: LC	DATE CHECKED: 1/15/21
MATERIAL: RAW MAT:			
A 3684 RFP		BJU LC 1/15/21	
REV	ECO	REVISION DESCRIPTION	BY CKD DATE
SHEET 1 OF 2		SCALE: 1:14	TITLE: M3 - SA
		DRAWING SIZE: B	PART#: 5501XXX-SA

X:\drawings\REVISION\55_EC_RWD_BIKE\ PRINTED ON: 1/15/2021 SW2006 V5.1

VS-XXX1099

ITEM NO.	QTY.	PART NO.	TITLE	ITEM NO.	QTY.	PART NO.	TITLE	ITEM NO.	QTY.	PART NO.	TITLE
1	1	9062	SCREW - CRFCHMS 10-32 X 1/2 SS	51	2	554997	THREADED INSERT - 3/4 X 1/2 SS	101	2	555419	SCREW - HSPSS-M10x1.5 X 16 BLK
2	1	9082	WASHER - BONDED #10 SS	52	1	555002	GIB - SEAT	102	1	555420	SWEAT STRIP - 5/16 X 3/8
3	7	9253	SCREW - CRPHMS #10-32 X 3/16 SS	53	1	555003	FLYWHEEL	103	1	555421	CRANK ARM - L
4	2	9261	SCREW - CRPHMS 10-32 X 3/8 SS	54	1	555004	HUB - FLYWHEEL	104	2	555422	GRIP - HANDLEBAR-CENTER
5	2	9279	SCREW - SBHTS-TF 5/16-18 X 3/4 ZP	55	1	555005	HUBCAP - FLYWHEEL	105	2	555423	GRIP - HANDLEBAR
6	1	9287	SCREW - CRPHTS 10-24 X 3/4 SS	56	1	555008	MAGNET COVER	106	1	555424	CRANK ARM - R
7	3	9303	SCREW - CRPHTCS-T25 4 X 3/8 SS	57	1	555009	SLIDER - SEAT	107	1	555427	AXLE - BOTTOM BRACKET-HOLLOW
8	1	9304	SCREW - CRFCS-PLASTITE 4-20 X 3/8 SS	58	1	555011	PLATE - MAGNET SUPPORT	108	2	555428	SCREW - HWHS-M8X1 X 60 CS
9	3	9333	SCREW - SBHTS-TF 5/16-18 X 1 ZP	59	1	555012	PULLEY - 330MM	109	2	555446	WHEEL - 3 IN-W/BUSHING
10	2	9344	WASHER - FW-USS 5/16 ZP	60	1	555017	MOUNT - DISPLAY-COMPUTER	110	1	555457	SADDLE - M3X
11	4	9369	WASHER - ACFT 5/16 SS	61	4	555022	NUT - HAN-HC-7/16-20 SS	111	1	555459	SCREW - SHCS M6x1 X 16 SS-PATCHED
12	4	9384	WASHER - FW-ACFT 7/16 SS	62	4	555023	SCREW - HHCS-7/16-20 X 3 SS	112	2	555460	RETAINING RING - INT-42MM
13	1	9391	WASHER - FW-ACFT 1/4 SS	63	2	555025	CLAMP - WHEEL GUARD	113	1	555473	PEDAL SET - COMBO-KEISER
14	2	9397	WASHER - BONDED 5/16 SS	64	2	555037	SPACER - 032039114	114	1	555511	MANUAL - USER-M3
15	7	9500	SCREW - SHCS M6x1 X 10 SS	65	1	555039	PIN - MF-5/16 SQ X 2 1/8	115	2	565407	COVER-SQ PIN HOLE
16	4	9501	SCREW - SHCS M6x1 X 16 SS	66	2	555048	PLATE - FRICTION W/HOLE	116	4	605051	PLUG - GRIP
17	5	9502	SCREW - SHCS M6x1 X 20 SS	67	1	555049	TUBE - SEAT	117	2	966502	BATTERY - AA CELL
18	2	9504	SCREW - SHCS M8x1.25 X 14 SS	68	1	555051	COVER - BELT-MAIN	118	1	990837	STABILIZER - FRAME
19	1	9508	NUT - HN M6X1 SS	69	1	555052	COVER - BELT-INNER	119	3	995076	SPACER - BUMPER
20	4	9509	NUT - HELN M6X1 ZP	70	1	555053	GEAR - POT	120	1	995322	DECAL - BASE STABILIZER ADJ-M SERIES
21	2	9511	SCREW - HHCS M8X1.25 X 16 ZP	71	1	555054	SHIFTER - R	121	1	995324	DECAL - MADE IN THE USA
22	2	9516	SCREW - SBHCS M8x1.25 X 45 SS	72	1	555055	SHIFTER - L	122	1	995375	DECAL - PART 15-FCC
23	2	9519	NUT-HAN-HC M8x1.25 SS	73	2	555058	BUSHING - SHORT	123	3	995418	BAG - 4 X 6 X 4MIL-ZIP LOCK
24	2	9524	SCREW - SBHCS M8x1.25 X 16 SS	74	1	555066	PULLEY - IDLER-MOLDED				
25	1	9525	SCREW - HHCS M6X1 X 45 SS	75	1	555073	CAP - WHEEL GUARD-BOT				
26	1	9532	SCREW-CRPHMS 4-40 X 3/8 SS	76	1	555074	HANDLE - L-BLACK				
27	1	9546	SCREW - CRPHMS 10-32 X 5/16 SS	77	1	555075	HANDLE - STUD-BLACK				
28	1	9982	NUT-HEAVY SQ. 3/8-16 SS	78	1	555076	CAP - M6 SHCS-BLACK				
29	3	105423	BUMPER - MOLDED GLIDE	79	1	555077	COVER - LOWER-MAIN FRAME-SHORT				
30	1	105550	THREAD SEALANT - LOCTITE 242	80	1	555078	GUARD - SWEAT-HANDLEBAR-SHORT				
31	2	115054	PLUG - 2 IN SQ-KEISER	81	1	555081	FACE - DISPLAY-COMPUTER-BT				
32	1	215502	RETAINING RING - 1.70 OD	82	1	555095	NECK - DISPLAY-COMPUTER-BT				
33	1	505063	PIN - HANDLEBAR-1/4 X 1-3/4	83	2	555101	STRETCH PAD - SINGLE				
34	6	505068	BUSHING - 4 PIECE	84	1	555370	DECAL - DOME-KEISER				
35	2	505480	RIVET - 1/4 X 3/4 REM PLUG	85	1	555371	DECAL - CAUTION-PEDAL TORQUE				
36	1	543080	SPACER - BEARING-FLYWHEEL	86	1	555374	DECAL - HANDLEBAR-POSITION				
37	2	543091	HOSE - SPACER-LONG	87	1	555376	DECAL - WARNING-HEART RATE				
38	1	550842	BOXING KIT - M3-FTB HB	88	1	555386	DECAL - HANDLEBAR-POSITION-BLK				
39	2	550847	PLUNGER KNOB	89	1	555387	DECAL - WARNING - USAGE				
40	1	550871X	BACK - DISPLAY-COMPUTER-BT	90	1	555388	DECAL - HANDLEBAR-POSITION-WHITE				
41	1	550872	COMPUTER - BL	91	1	555389	DECAL - SERIAL NUMBER-M3i				
42	1	550900	FRAME - MAIN	92	2	555402	BEARING - 6004ZZ-SHIELDED				
43	1	550901	FRAME - BASE	93	1	555403	MAGNET - CYL-3.20 X 9.53 MM GR N45				
44	1	550906	HANDLEBAR	94	2	555404	MAGNET - 25 X 9.5 MM				
45	1	550911	CKT BRD - PICKUP	95	1	555405	SPRING - TORSION				
46	1	550921	FRAME - BASE SS	96	1	555406	BELT - POLY V				
47	1	550923	HANDLEBAR - ADJ TUBE	97	1	555410	PAD - BRAKE-FRICTION				
48	1	551751	YOKE - MAGNET HOLDER	98	1	555411	SHIFT CABLE				
49	1	553101	TUBE - WHEEL GUARD-270	99	1	555413	CORD - COMP TO PICKUP				
50	1	554500	SUPPORT - MAGNET HOLDER	100	2	555418	BEARING - 6203ZZ-SHIELDED				



X:\drawings\REVISION\55_EC_RWD_BIKEI PRINTED ON: 1/15/2021 SW2006 V5.1

KEISER[®]

2470 South Cherry Ave. Phone: (559) 256-8000
 Fresno, CA, USA 93706-5004 Fax: (559) 256-8100

THE INFORMATION DISCLOSED HEREIN WAS ORIGINATED BY AND IS THE PROPERTY OF KEISER CORP. AND ALL PATENT, PROPRIETARY, DESIGN, USE, SALE, MANUFACTURING, AND REPRODUCTION RIGHTS THERETO ARE RESERVED BY KEISER CORP.

DIMENSIONS ARE IN INCHES
 DIMENSIONS IN [] ARE MILLIMETERS
 BREAK SHARP EDGES .005-.015 (.10-.40)
 MACHINED SURFACE FINISH IS
 63 MICROINCHES [1.6 MICROMETERS]
 DO NOT SCALE DRAWING

DRAWN BY: BJU DATE DRAWN: 11/17/20 CHECKED BY: LC DATE CHECKED: 1/15/21

MATERIAL: RAW MAT:

TITLE: M3 - SA

SHEET 2 OF 2 SCALE: 1:14 DRAWING SIZE: B PART#: 5501XXX-SA

REV	ECO	RFP	REVISION DESCRIPTION	BY	CKD	DATE
A	3684	RFP		BJU	LC	1/15/21