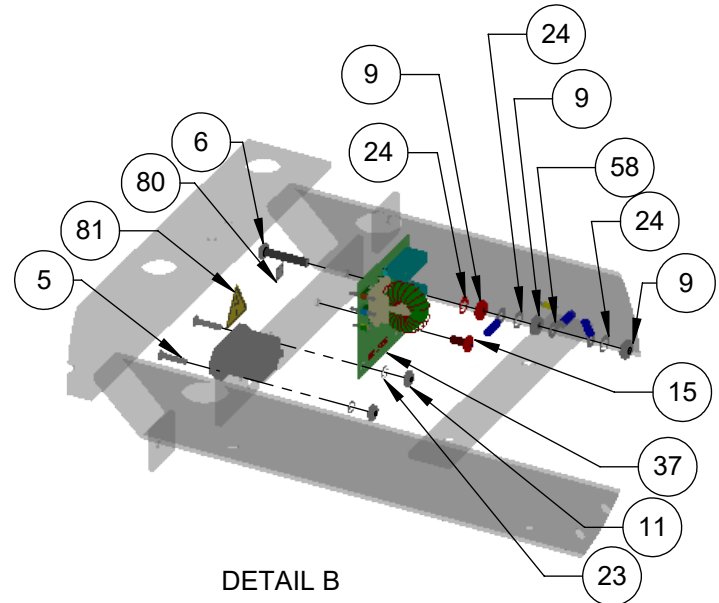
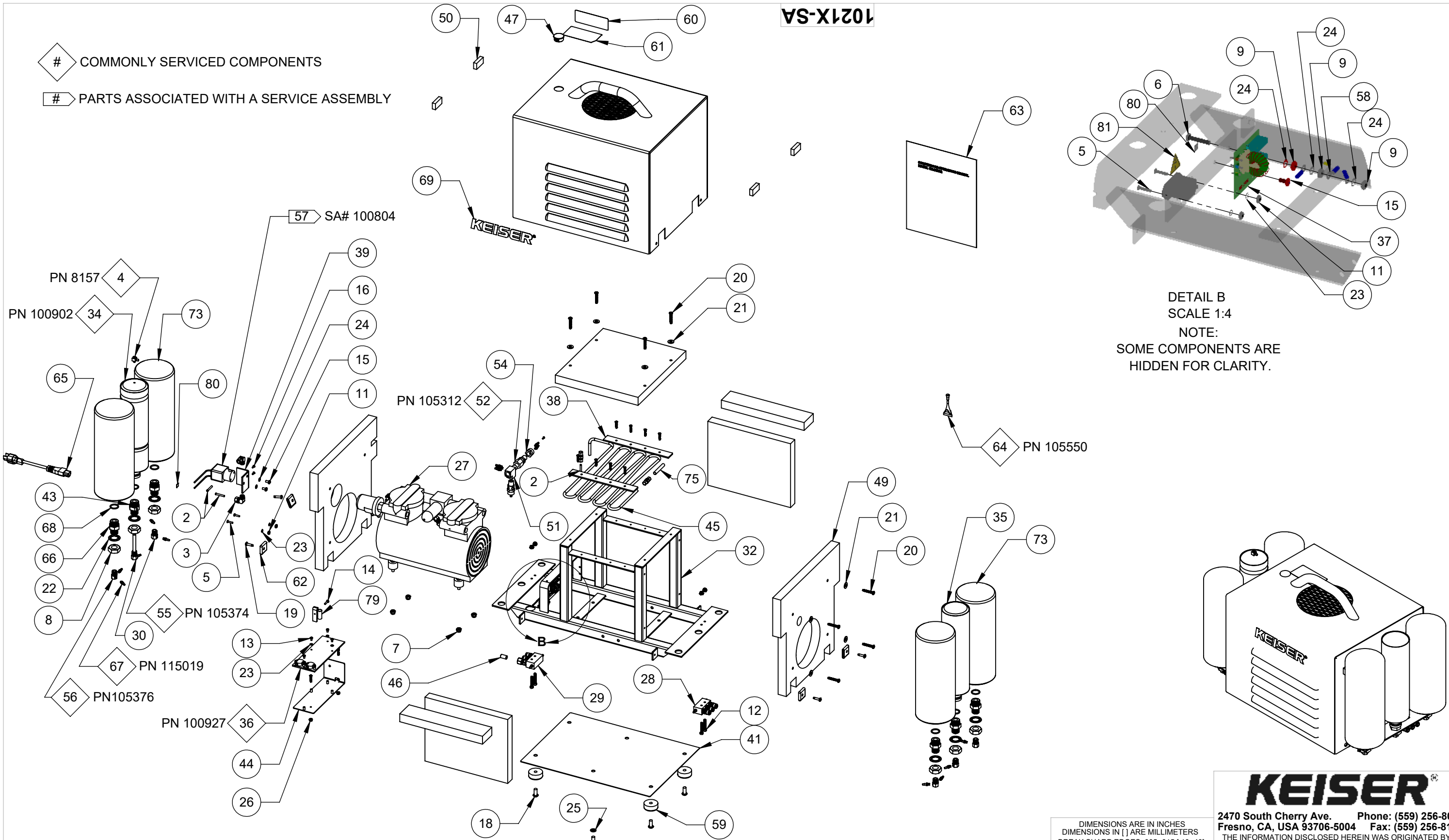
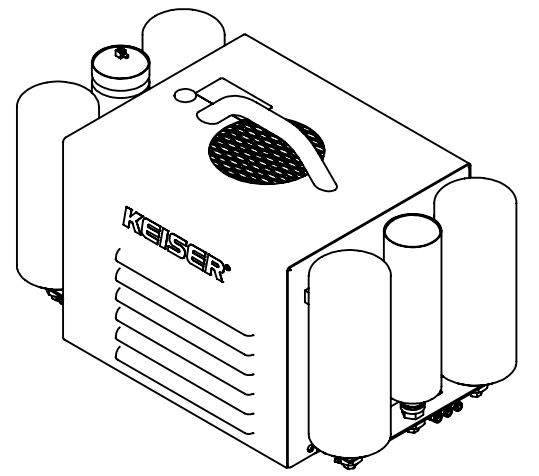


**1021X-SA**

# COMMONLY SERVICED COMPONENTS  
 # PARTS ASSOCIATED WITH A SERVICE ASSEMBLY



DETAIL B  
 SCALE 1:4  
 NOTE:  
 SOME COMPONENTS ARE  
 HIDDEN FOR CLARITY.



NOTE:  
 (1) 1021X-SA COVERS THE FOLLOWING MODELS: 1021B, 1021P, 1021X  
 (2) SEND LOCTITE 242 PN 105550 FOR FITTING REPLACEMENTS AS NEEDED

REV	ECO	RFP	DESCRIPTION	BY	CKD	DATE
A	3806	RFP		LMG	LC	10/16/20

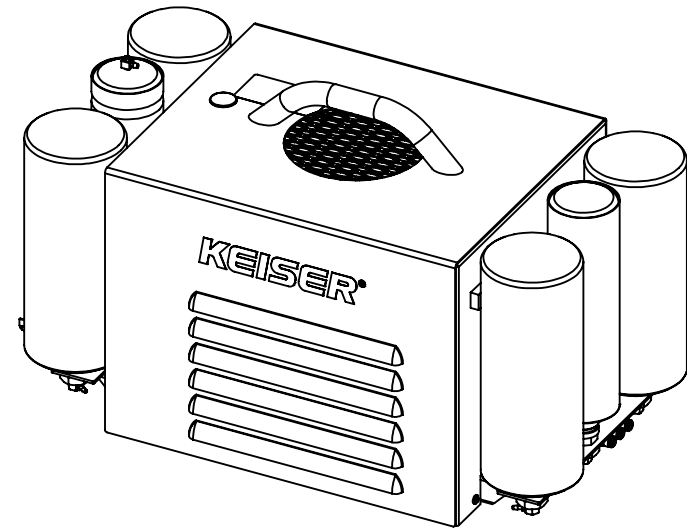
**KEISER**  
 2470 South Cherry Ave. Phone: (559) 256-8000  
 Fresno, CA, USA 93706-5004 Fax: (559) 256-8100  
 THE INFORMATION DISCLOSED HEREIN WAS ORIGINATED BY AND IS THE PROPERTY OF KEISER CORP. AND ALL PATENT, PROPRIETARY, DESIGN, USE, SALE, MANUFACTURING, AND REPRODUCTION RIGHTS THERETO ARE RESERVED BY KEISER CORP.

DRAWN BY: LMG	DATE DRAWN: 10/15/20	CHECKED BY: LC	DATE CHECKED: 10/16/20
MATERIAL: RAW MAT:			
TITLE: COMPRESSOR QUIET-115V 60H-SA		DRAWING SIZE: B	
SHEET 1 OF 2		PART#: 1021X-SA	

X:\drawings\APPROVED\10\_COMPRESSORS\ PRINTED ON: 10/23/2020SW2006 V5.1

ITEM NO.	QTY.	PART NO.	TITLE	ITEM NO.	QTY.	PART NO.	TITLE
1	2	8000	UNION - 1/4C	63	1	105513	MANUAL - OPERATOR 102XX
2	3	8053	TUBE - INSERT-1/8	64	1	105550	THREAD SEALANT - LOCTITE 242
3	2	8150	CAF ME - 1/4 X 1/8	65	1	105811	POWER CORD - NORTH AMERICA
4	1	8157	ELBOW - 10-32M X 1/4B	66	5	115000	BUSHING - TANK
5	2	9050	SCREW - CRFCHMS 6-32 X 5/8 ZP	67	14	115019	BARBED CONN - 1/4 X 10-32
6	1	9122	SCREW - CRPHMS #10-32 X 1 ZP	68	6	115333	O-RING - .943 X .737 X .103
7	4	9225	NUT - HELN 1/4-20 ZP	69	1	115372	DECAL - KEISER LOGO-1 1/4" RED
8	6	9231	NUT - HJN 3/4-10 ZP	70	5	115423	TIE - 8 IN-PL BLK
9	3	9238	NUT - HMSN 10-32 ZP	71	20	115430	PLASTIC TIE - 3" BLK
10	4	9246	NUT - HELN 10-24 ZP	72	1	125420	PLASTIC TIE - 14.5 BLK
11	2	9248	NUT - HMSN 6-32 ZP	73	4	255318	TANK - 145 CU IN
12	4	9254	SCREW - HHMS #10-24 X 1-1/4 ZP	74	1	953108	TUBING - 1/4 URETHANE BLK
13	4	9255	SCREW - CRPHMS 6-32 X 1/4 ZP	75	1	953112	TUBING TEF ZEUS 1/4 - FEP
14	1	9256	SCREW - CRPHMS 6-32 X 5/8	76	1	962036	CON - ML-2-P-TH
15	3	9261	SCREW - CRPHMS 10-32X3/8 SS	77	2	962038	CON - PIN-14-20 AWG-CRIMP-TIN
16	2	9271	SCREW - CRPHMS #4-40 X 5/16 ZP	78	1	966709	WIRE - SINGLE-1-16GA-GR/YEL
17	10	9274	SCREW - CRPHTS-TF 6-32 X 3/4 BLK	79	1	968014	TUBE - SILPAD
18	5	9279	SCREW - SBHTS-TF 5/16-18 X 3/4 ZP	80	1	995373	DECAL - GROUND SYMBOL
19	4	9285	SCREW - CRPHTS 10-24 X 3/4 ZP	81	1	995377	DECAL - HIGH VOLTAGE SYMBOL
20	8	9286	SCREW - CRPHTS-TF #10-24 X 1-1/4 ZP				
21	8	9349	WASHER - FW-SAE-1/4 ZP				
22	6	9364	WASHER - ITLW 3/4 ZP				
23	6	9366	WASHER - ITLW #6 ZP				
24	5	9379	WASHER - ITLW 10				
25	1	9389	WASHER - ITLW 5/16 ZP				
26	2	9984	NUT - HELN #6-32 ZP				
27	1	100849	COMP - MOTOR-075HP-120V-60HZ				
28	1	100857	MANIFOLD-2 OUTLET W/DRAIN				
29	1	100858	MANIFOLD-3 OUTLETS				
30	1	100859	TUBE-INLET ASSY				
31	1	100860	MUFFLER ASSY				
32	1	100900	BASE FRAME - QUIET COMP				
33	1	100901	COMPRESSOR COVER HOUSING				
34	1	100902	DRYER ASSY.				
35	1	100903	TANK - 72 IN3				
36	1	100927	WELDT - CKT BRD-COMPRESSOR				
37	1	100928	CKT BRD - FILTER				
38	2	101809	BRKT - PRECOOLER				
39	1	101811	BRKT - SOLENOID VALVE				
40	1	101812	PLATE - CLAMP				
41	1	102050	PLATE - TRAY				
42	1	105009	FLOW RESTRICTOR .036				
43	1	105011	BUSHING - TANK DRILLED				
44	1	105030	BRACKET - CKT BRD-COMP				
45	1	105048	TUBING-COMPRESSOR				
46	1	105053	PLASTIC PLUG - 3/8				
47	1	105058	PLUG - Ø1-CLEAR				
48	2	105164	FOAM-MUFFLER-DRYER				
49	1	105165	FOAM-COMPRESSOR				
50	4	105167	FOAM - VIB DAMPER-3/4X3/8				
51	1	105301	MALE RUN PIPE TEE				
52	1	105312	CHECK VALVE - #227 W/ITON				
53	1	105321	PRES.RELIEF VALVE-150 PSI				
54	1	105373	CAP - 1/4" W/ 2 10-32 HOLES				
55	2	105374	ELBOW - 0250NPT-W 1X 10-32 HOLE				
56	3	105376	ELBOW - 1/4NPT W/2 10-32				
57	1	105405	SOLENOID VALVE-ALLEN-AIR MODEL G120V				
58	1	105421	RING TERMINAL - #10-14 GA				
59	4	105423	BUMPER - MOLDED GLIDE				
60	1	105444	DECAL - SERIAL NUMBER-TUV				
61	1	105446	DECAL - KEEP VENT CLEAR				
62	4	105447	CAP - VINYL-HOLE				

1021X-SA



**KEISER**<sup>®</sup>

2470 South Cherry Ave. Phone: (559) 256-8000  
 Fresno, CA, USA 93706-5004 Fax: (559) 256-8100

THE INFORMATION DISCLOSED HEREIN WAS ORIGINATED BY AND IS THE PROPERTY OF KEISER CORP. AND ALL PATENT, PROPRIETARY, DESIGN, USE, SALE, MANUFACTURING, AND REPRODUCTION RIGHTS THERETO ARE RESERVED BY KEISER CORP.

DIMENSIONS ARE IN INCHES DIMENSIONS IN [ ] ARE MILLIMETERS BREAK SHARP EDGES .005-.015 [.10-.40] MACHINED SURFACE FINISH IS 63 MICROINCHES [1.6 MICROMETERS] DO NOT SCALE DRAWING		DRAWN BY: LMG		DATE DRAWN: 10/15/20		CHECKED BY: LC		DATE CHECKED: 10/16/20	
MATERIAL:		RAW MAT:		TITLE: COMPRESSOR QUIET-115V 60H-SA		SHEET 2 OF 2		SCALE: 1:8	
DRAWING SIZE: B		PART#: 1021X-SA		BY: LMG		CKD: LC		DATE: 10/16/20	

REV	ECO	RFP	REVISION DESCRIPTION	BY	CKD	DATE
A	3806	RFP		LMG	LC	10/16/20

PRINTED ON: 10/23/2020SW2006 V5.1

X:\drawings\APPROVED\10\_COMPRESSORS\