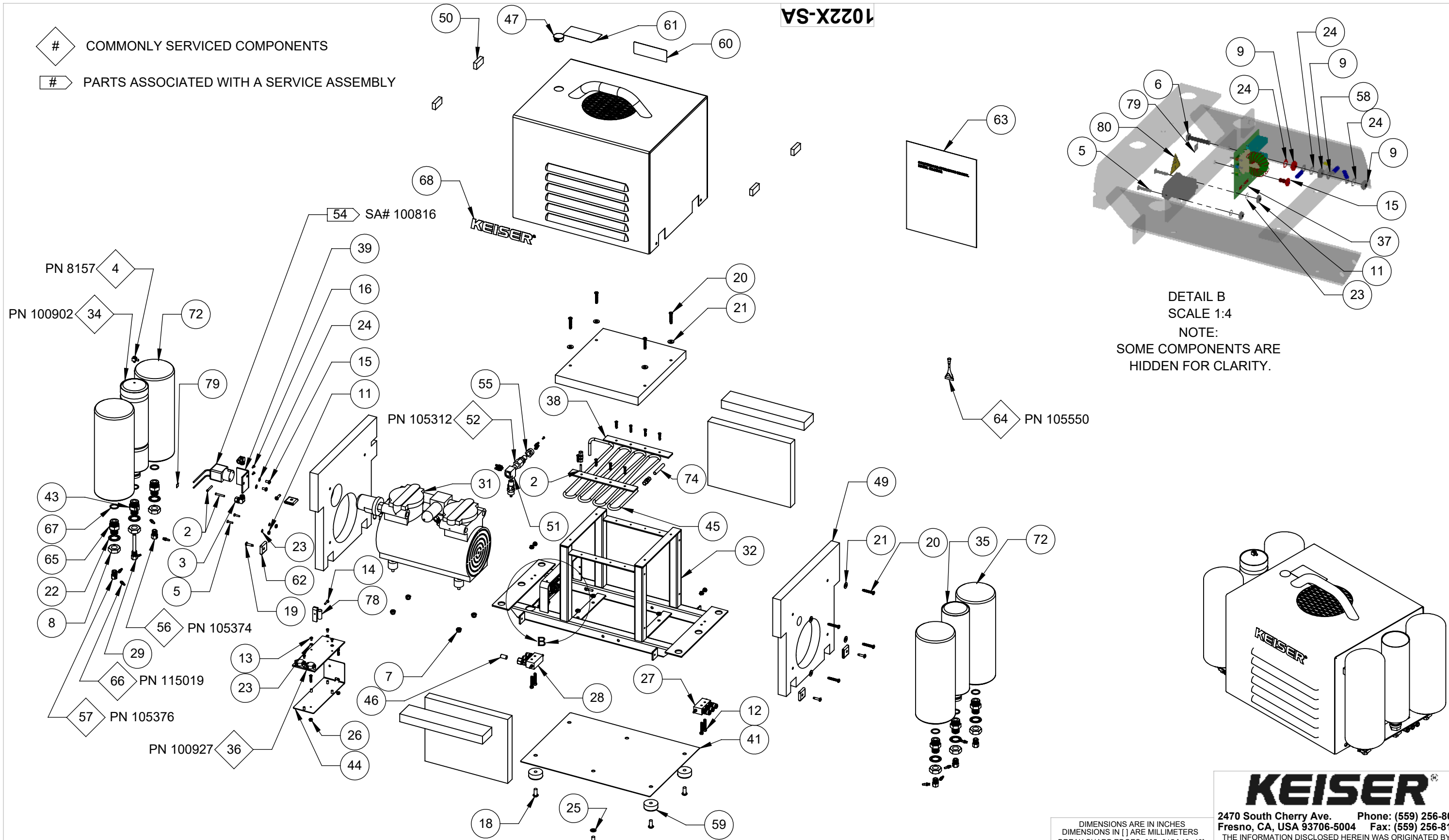


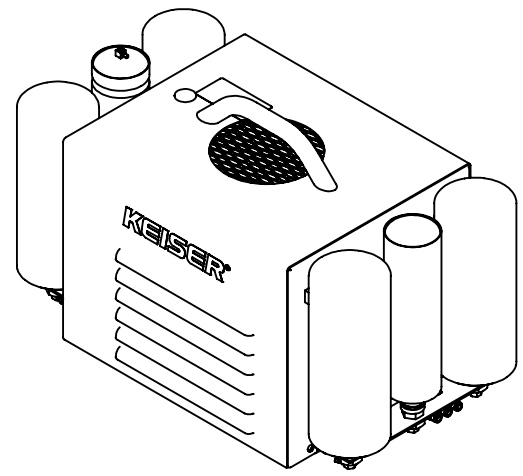
**1022X-SA**

**#** COMMONLY SERVICED COMPONENTS  
**#** PARTS ASSOCIATED WITH A SERVICE ASSEMBLY



DETAIL B  
 SCALE 1:4  
 NOTE:  
 SOME COMPONENTS ARE  
 HIDDEN FOR CLARITY.

NOTE:  
 (1) 1022X-SA COVERS THE FOLLOWING MODELS: 1022B, 1022P, 1022X  
 (2) SEND LOCTITE 242 PN 105550 FOR FITTING REPLACEMENTS AS NEEDED



**KEISER**

2470 South Cherry Ave. Phone: (559) 256-8000  
 Fresno, CA, USA 93706-5004 Fax: (559) 256-8100  
 THE INFORMATION DISCLOSED HEREIN WAS ORIGINATED BY  
 AND IS THE PROPERTY OF KEISER CORP. AND ALL PATENT,  
 PROPRIETARY, DESIGN, USE, SALE, MANUFACTURING, AND  
 REPRODUCTION RIGHTS THERETO ARE RESERVED BY KEISER  
 CORP.

A			3806	RFP	LMG	LC	10/16/20	TITLE: COMPRESSOR QUIET- 220V-50H-SA			
REV	ECO				BY	CKD	DATE	SHEET 1 OF 2	SCALE: 1:10	DRAWING SIZE: B	PART#: 1022X-SA

DIMENSIONS ARE IN INCHES  
 DIMENSIONS IN [ ] ARE MILLIMETERS  
 BREAK SHARP EDGES .005-.015 [.10-.40]  
 MACHINED SURFACE FINISH IS  
 63 MICROINCHES [1.6 MICROMETERS]  
 DO NOT SCALE DRAWING

DRAWN BY: LMG DATE DRAWN: 10/15/20 CHECKED BY: LC DATE CHECKED: 10/19/20  
 MATERIAL: RAW MAT:

X:\drawings\APPROVED\10\_COMPRESSORS\ PRINTED ON: 10/23/2020SW2006 V5.1

