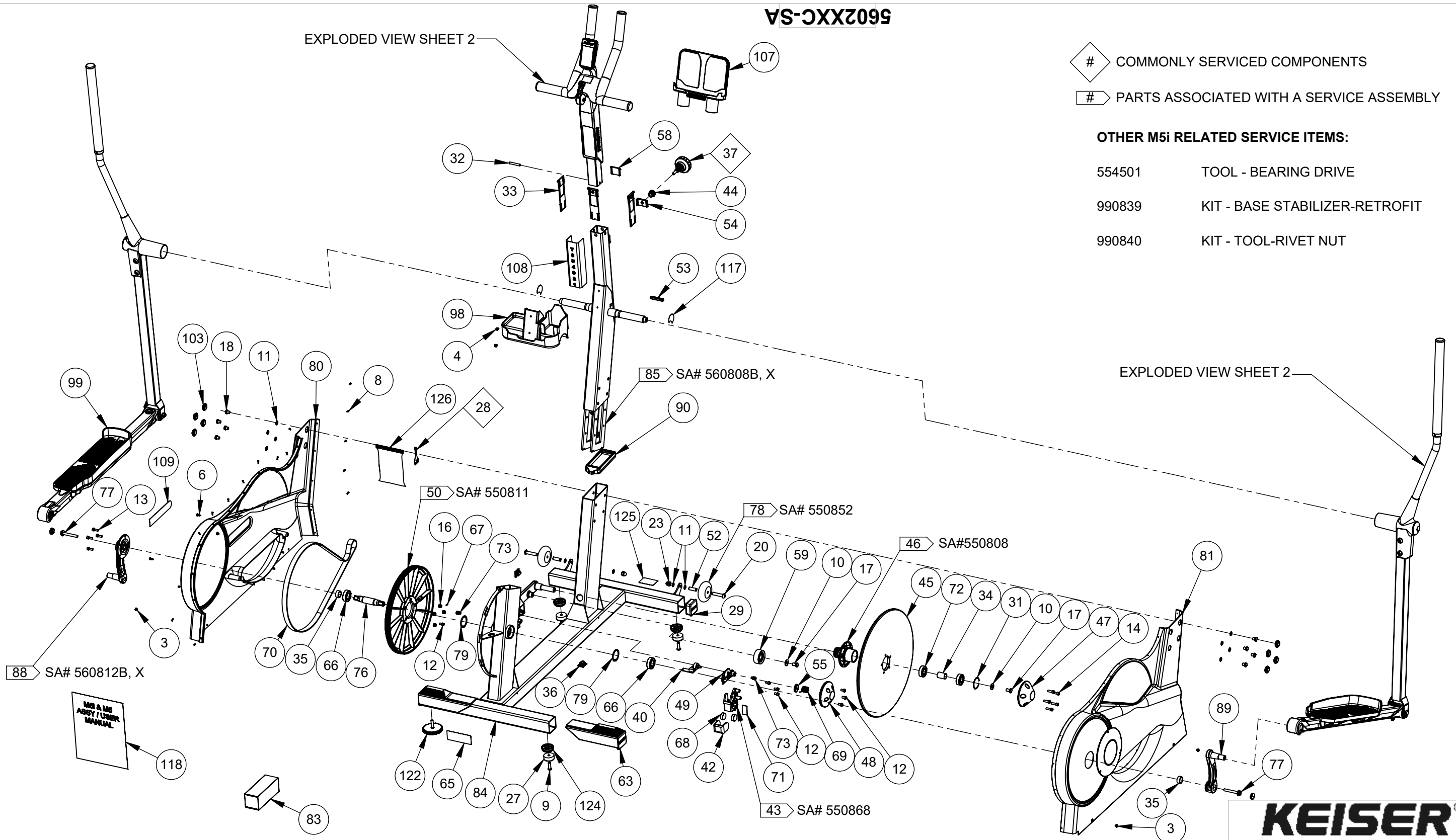


5602XXC-SA

EXPLODED VIEW SHEET 2



- # COMMONLY SERVICED COMPONENTS
- # PARTS ASSOCIATED WITH A SERVICE ASSEMBLY

OTHER M5i RELATED SERVICE ITEMS:

- 554501 TOOL - BEARING DRIVE
- 990839 KIT - BASE STABILIZER-RETROFIT
- 990840 KIT - TOOL-RIVET NUT

EXPLODED VIEW SHEET 2

88 SA# 560812B, X



118

83

NOTE:

5602XXX-SA COVERS THE FOLLOWING MODELS: 5602BBC & 5602XXC.

DIMENSIONS ARE IN INCHES
 DIMENSIONS IN [] ARE MILLIMETERS
 BREAK SHARP EDGES .005-.015 [.10-.40]
 MACHINED SURFACE FINISH IS
 63 MICROINCHES [1.6 MICROMETERS]
 DO NOT SCALE DRAWING

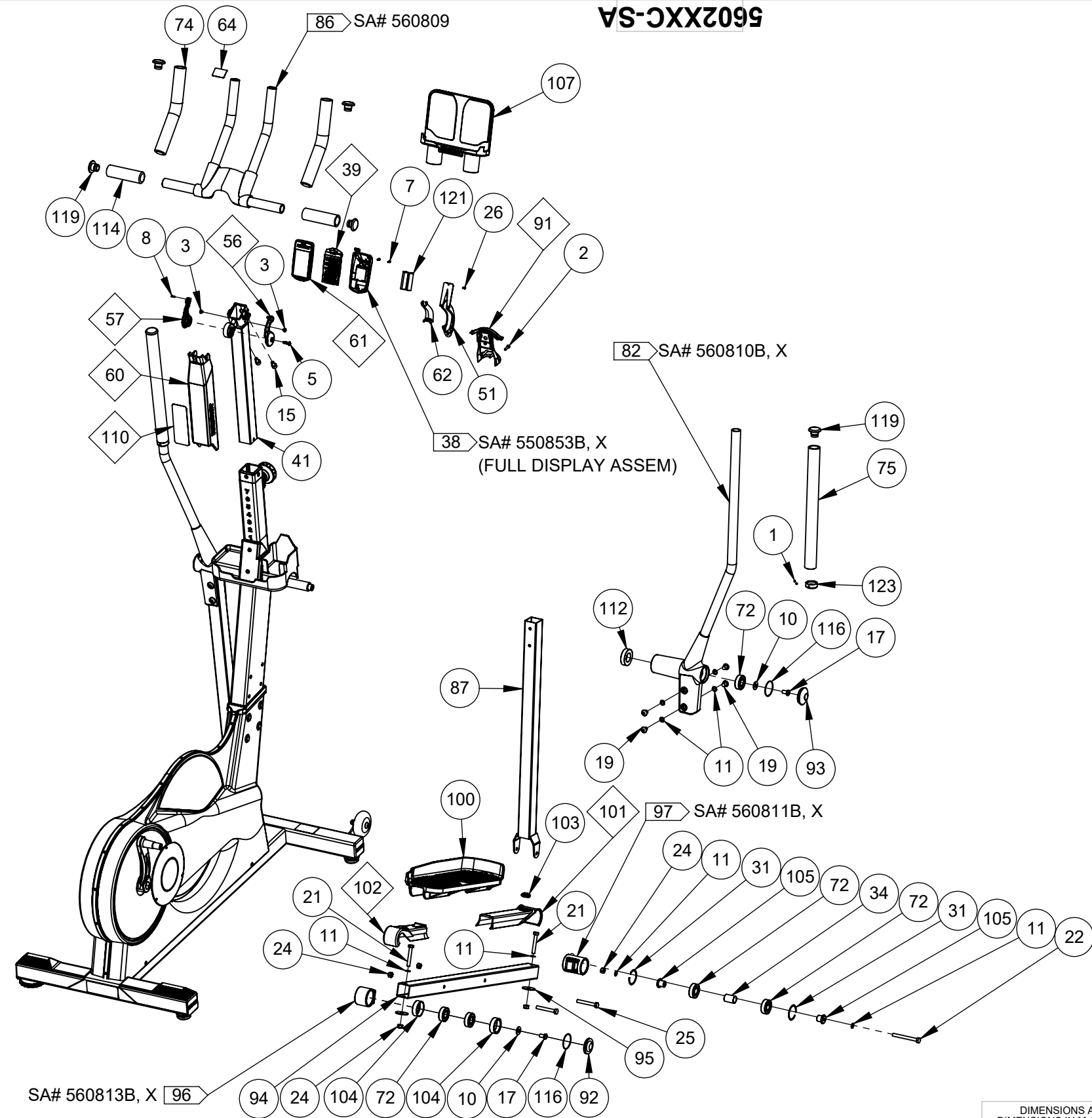
KEISER[®]
 2470 South Cherry Ave. Phone: (559) 256-8000
 Fresno, CA, USA 93706-5004 Fax: (559) 256-8100
 THE INFORMATION DISCLOSED HEREIN WAS ORIGINATED BY
 AND IS THE PROPERTY OF KEISER CORP. AND ALL PATENT,
 PROPRIETARY, DESIGN, USE, SALE, MANUFACTURING, AND
 REPRODUCTION RIGHTS THERETO ARE RESERVED BY KEISER
 CORP.

DRAWN BY: LMG	DATE DRAWN: 10/14/20	CHECKED BY: LC	DATE CHECKED: 11/4/20
MATERIAL: RAW MAT:			
TITLE: M5i STRIDER - SA			
SHEET 1 OF 3		SCALE: 1:14	DRAWING SIZE: B
PART#: 5602XXC-SA			

REV	ECO	REVISION DESCRIPTION	BY	CKD	DATE
A	3814	RFP	LMG	LC	11/4/20

X:\drawings\APPROVED\56_M5 STRIDER\ PRINTED ON: 11/9/2020 SW2006 V5.1

5602XXC-SA



KEISER[®]

2470 South Cherry Ave. Phone: (559) 256-8000
 Fresno, CA, USA 93706-5004 Fax: (559) 256-8100

THE INFORMATION DISCLOSED HEREIN WAS ORIGINATED BY AND IS THE PROPERTY OF KEISER CORP. AND ALL PATENT, PROPRIETARY, DESIGN, USE, SALE, MANUFACTURING, AND REPRODUCTION RIGHTS THERETO ARE RESERVED BY KEISER CORP.

DIMENSIONS ARE IN INCHES
 DIMENSIONS IN [] ARE MILLIMETERS
 BREAK SHARP EDGES .005-.015 [.10-.40]
 MACHINED SURFACE FINISH IS
 63 MICROINCHES [1.6 MICROMETERS]
 DO NOT SCALE DRAWING

DRAWN BY: LMG	DATE DRAWN: 10/14/20	CHECKED BY: LC	DATE CHECKED: 11/4/20
---------------	----------------------	----------------	-----------------------

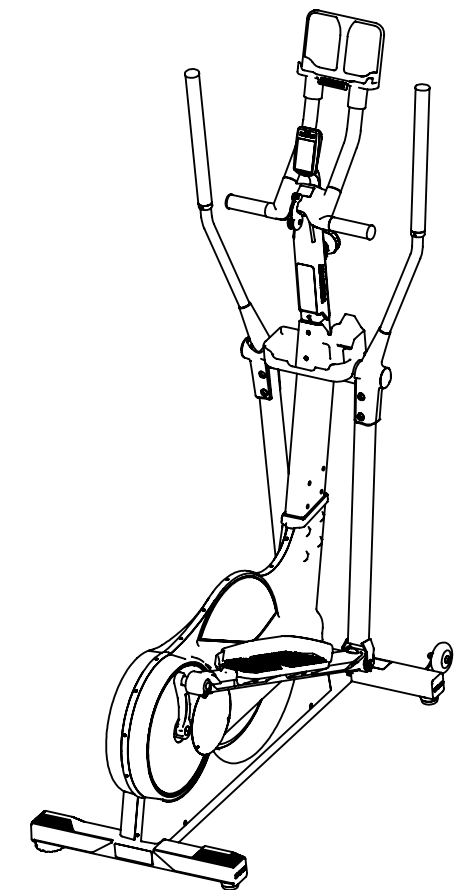
MATERIAL:
 RAW MAT:

REV	ECO	REVISION DESCRIPTION	BY	CKD	DATE
A	3814	RFP	LMG	LC	11/4/20

TITLE: **M5i STRIDER - SA**
 SHEET **2** OF **3** SCALE: **1:14** DRAWING SIZE: **B** PART#: **5602XXC-SA**

5602XXC-SA

ITEM NO.	QTY.	PART NO.	TITLE	ITEM NO.	QTY.	PART NO.	TITLE	ITEM NO.	QTY.	PART NO.	TITLE
1	4	9014	SCREW - HSSS 8-32 X 1/8 SS	51	1	555017	MOUNT - DISPLAY-COMPUTER	101	2	565056	GUARD - PEDAL-FRONT
2	1	9063	SCREW - CRFCHMS 10-32 X 3/4 SS	52	2	555037	SPACER - 032039114	102	2	565057	GUARD - PEDAL-REAR
3	6	9253	SCREW - CRPHMS #10-32 X 3/16 SS	53	1	555039	PIN - MF-5/16 SQ X 2 1/8	103	10	565058	COVER - BOLT
4	2	9261	SCREW - CRPHMS 10-32 X 3/8 SS	54	1	555048	PLATE - FRICTION W/HOLE	104	4	565059	BUSHING - PEDAL HOUSING
5	1	9287	SCREW - CRPHTS 10-24 X 3/4 SS	55	1	555053	GEAR - POT	105	4	565060	BUSHING - 039066078
6	2	9291	SCREW - CRPHTS 8 X 1/2 ZP	56	1	555054	SHIFTER - R	106	1	565061	LINK-CABLE
7	2	9303	SCREW - CRPHTCS-T25 4 X 3/8 SS	57	1	555055	SHIFTER - L	107	1	565063	MEDIA HOLDER - M5i
8	17	9304	SCREW - CRFCS-PLASTITE 4-20 X 3/8 SS	58	1	555058	BUSHING - SHORT	108	1	565373	DECAL - HANDLEBAR-POSITION-BLK
9	3	9333	SCREW - SBHTS-TF 5/16-18 X 1 ZP	59	1	555066	PULLEY - IDLER-MOLDED	109	1	565374	DECAL - DOME-KEISER M5i
10	6	9344	WASHER - FW-USS 5/16 ZP	60	1	555078	GUARD - SWEAT-HANDLEBAR-SHORT	110	1	565375	DECAL - WARNING-USAGE
11	28	9369	WASHER - ACFT 5/16 SS	61	1	555081	FACE - DISPLAY-COMPUTER-BT	111	2	565400	SHIFT CABLE
12	7	9500	SCREW - SHCS M6x1 X 10 SS	62	1	555095	NECK - DISPLAY-COMPUTER-BT	112	2	565402	BEARING - 6005ZZ-SHIELDED
13	4	9501	SCREW - SHCS M6x1 X 16 SS	63	2	555101	STRETCH PAD - SINGLE	113	1	565403	CORD - COMP-TO COUPLER
14	5	9502	SCREW - SHCS M6x1 X 20 SS	64	1	555376	DECAL - WARNING-HEART RATE	114	2	565404	GRIP - HANDLEBAR-STRAIGHT
15	2	9504	SCREW - SHCS M8x1.25 X 14 SS	65	1	555381	DECAL - SERIAL NUMBER	115	1	565405	WA - COUPLER-TO PICKUP CKT BRD
16	4	9509	NUT - HELN M6X1 ZP	66	2	555402	BEARING - 6004ZZ-SHIELDED	116	4	565406	ORING - 1 5/8ID X 1 3/4OD X 1/16W
17	6	9511	SCREW - HHCS M8X1.25 X 16 ZP	67	1	555403	MAGNET - CYL-3.20 X 9.53 MM GR N45	117	2	565407	COVER-SQ PIN HOLE
18	8	9514	SCREW - HHCS M8X1.25 X 10 SS	68	2	555404	MAGNET - 25 X 9.5 MM	118	1	565509	MANUAL - USER-M5i & M5
19	8	9515	SCREW - SBHCS M8X1.25 X 12 SS	69	1	555405	SPRING - TORSION	119	6	605051	PLUG - GRIP
20	2	9516	SCREW - SBHCS M8x1.25 X 45 SS	70	1	555406	BELT - POLY V	120	1	962016	CON - MOD-COUPLER-6-6
21	4	9517	SCREW - HHCS M8x1.25 X 55 SS	71	1	555410	PAD - BRAKE-FRICTION	121	2	966502	BATTERY - AA CELL
22	2	9518	SCREW - HHCS M8X1.25 X 80 SS	72	12	555418	BEARING - 6203ZZ-SHIELDED	122	1	990837	STABILIZER - FRAME
23	2	9519	NUT-HAN-HC M8x1.25 SS	73	2	555419	SCREW - HSPSS-M10x1.5 X 16 BLK	123	2	995000	COLLAR - GRIP
24	10	9521	NUT - HELN - M8x1.25 SS	74	2	555422	GRIP - HANDLEBAR-CENTER	124	3	995076	SPACER - BUMPER
25	4	9522	SCREW - HHCS M8X1.25 X 60 SS	75	2	555423	GRIP - HANDLEBAR	125	1	995324	DECAL - MADE IN THE USA
26	1	9532	SCREW-CRPHMS 4-40 X 3/8 SS	76	1	555427	AXLE - BOTTOM BRACKET-HOLLOW	126	3	995418	BAG - 4 X 6 X 4MIL-ZIP LOCK
27	3	105423	BUMPER - MOLDED GLIDE	77	2	555428	SCREW - HWHS-M8X1 X 60 CS				
28	1	105550	THREAD SEALANT - LOCTITE 242	78	2	555446	WHEEL - 3 IN-W/BUSHING				
29	2	115054	PLUG - 2 IN SQ-KEISER	79	2	555460	RETAINING RING - INT-42MM				
30	2	115430	PLASTIC TIE - 3" BLK	80	1	560800	COVER - L-MAIN FRM				
31	5	215502	RETAINING RING - 1.70 OD	81	1	560801	COVER - R-MAIN FRM				
32	1	505063	PIN - HANDLEBAR-1/4 X 1-3/4	82	2	560802	HANDLE-MOLDED				
33	3	505068	BUSHING - 4 PIECE	83	1	560814	BOXING KIT - M5				
34	3	543080	SPACER - BEARING-FLYWHEEL	84	1	560900	FRAME - MAIN				
35	2	543091	HOSE - SPACER-LONG	85	1	560901	FRAME -TOP				
36	2	545055	ANCHOR - CABLE PL	86	1	560903	HANDLEBAR				
37	1	550847	PLUNGER KNOB	87	2	560906	HANGER - PEDAL MOUNT				
38	1	550871	BACK - DISPLAY-COMPUTER-BT	88	1	560908	CRANK ARM - L-AXLE				
39	1	550873	COMPUTER - BL-BT	89	1	560909	CRANK ARM - R-AXLE				
40	1	550911	CKT BRD - PICKUP	90	1	565000	INSERT - NECK MT				
41	1	550923	HANDLEBAR - ADJ TUBE	91	1	565001	GUARD - HANDLEBAR-REAR				
42	1	551751	YOKE - MAGNET HOLDER	92	2	565004	CAP - PEDAL HOUSING				
43	1	554500	SUPPORT - MAGNET HOLDER	93	2	565005	CAP - HANDLE TUBE				
44	1	554997	THREADED INSERT - 3/4 X 1/2 SS	94	2	565013	TUBE - PEDAL MT SS-SQR FIT				
45	1	555003	FLYWHEEL	95	4	565015	WASHER - FW-5/16 SS				
46	1	555004	HUB - FLYWHEEL	96	2	565047	HOUSING - BEARING-PEDAL MT AL				
47	1	555005	HUBCAP - FLYWHEEL	97	2	565048	HOUSING - BEARING-HANGER AL				
48	1	555008	MAGNET COVER	98	1	565053	COVER - CUP HOLDER				
49	1	555011	PLATE - MAGNET SUPPORT	99	1	565054	PEDAL - L FOOT				
50	1	555012	PULLEY - 330MM	100	1	565055	PEDAL - R FOOT				



KEISER[®]

2470 South Cherry Ave. Phone: (559) 256-8000
 Fresno, CA, USA 93706-5004 Fax: (559) 256-8100

THE INFORMATION DISCLOSED HEREIN WAS ORIGINATED BY AND IS THE PROPERTY OF KEISER CORP. AND ALL PATENT, PROPRIETARY, DESIGN, USE, SALE, MANUFACTURING, AND REPRODUCTION RIGHTS THERETO ARE RESERVED BY KEISER CORP.

DIMENSIONS ARE IN INCHES
 DIMENSIONS IN [] ARE MILLIMETERS
 BREAK SHARP EDGES .005-.015 (.10-.40)
 MACHINED SURFACE FINISH IS
 63 MICROINCHES [1.6 MICROMETERS]
 DO NOT SCALE DRAWING

DRAWN BY: LMG DATE DRAWN: 10/14/20 CHECKED BY: LC DATE CHECKED: 11/4/20

MATERIAL: RAW MAT:

TITLE: **M5i STRIDER - SA**

SHEET **3** OF **3** SCALE: **1:24** DRAWING SIZE: **B** PART#: **5602XXC-SA**

REV	ECO	RFP	BY	CKD	DATE	DESCRIPTION
A	3814	RFP	LMG	LC	11/4/20	

PRINTED ON: 11/9/2020 SW2006 V5.1

X:\drawings_APPROVED\56_M5 STRIDER\