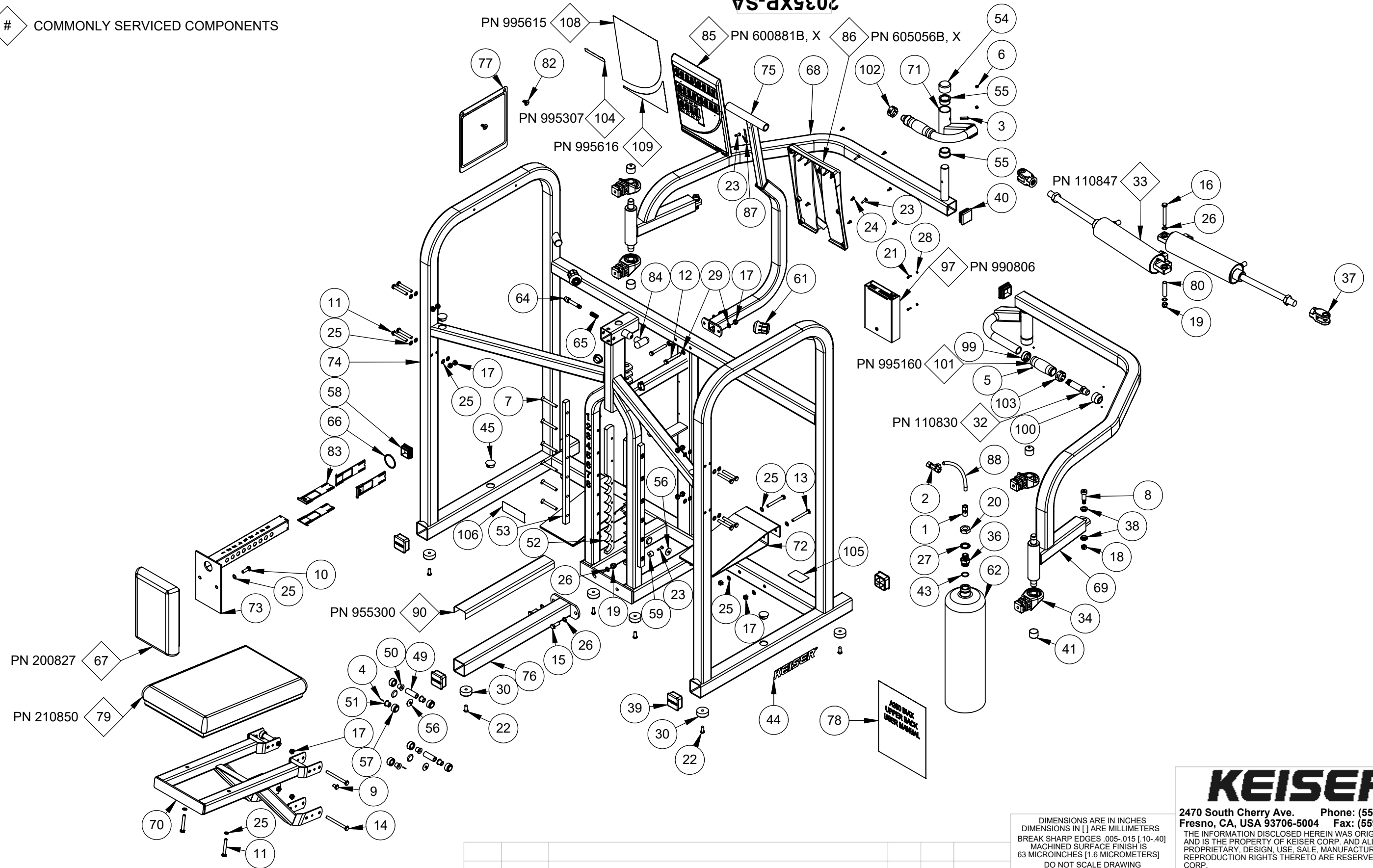


COMMONLY SERVICED COMPONENTS

2035XP-SA



NOTE:

2035XP-SA COVERS THE FOLLOWING MODELS: 2035BP, 2035PP, AND 2035SP

DIMENSIONS ARE IN INCHES
 DIMENSIONS IN [] ARE MILLIMETERS
 BREAK SHARP EDGES .005-.015 [.10-.40]
 MACHINED SURFACE FINISH IS
 63 MICROINCHES [1.6 MICROMETERS]
 DO NOT SCALE DRAWING

KEISER
 2470 South Cherry Ave. Phone: (559) 256-8000
 Fresno, CA, USA 93706-5004 Fax: (559) 256-8100
 THE INFORMATION DISCLOSED HEREIN WAS ORIGINATED BY
 AND IS THE PROPERTY OF KEISER CORP. AND ALL PATENT,
 PROPRIETARY, DESIGN, USE, SALE, MANUFACTURING, AND
 REPRODUCTION RIGHTS THERETO ARE RESERVED BY KEISER
 CORP.

DRAWN BY: BJU DATE DRAWN: 10/13/20 CHECKED BY: LC DATE CHECKED: 1/22/21

MATERIAL: RAW MAT:

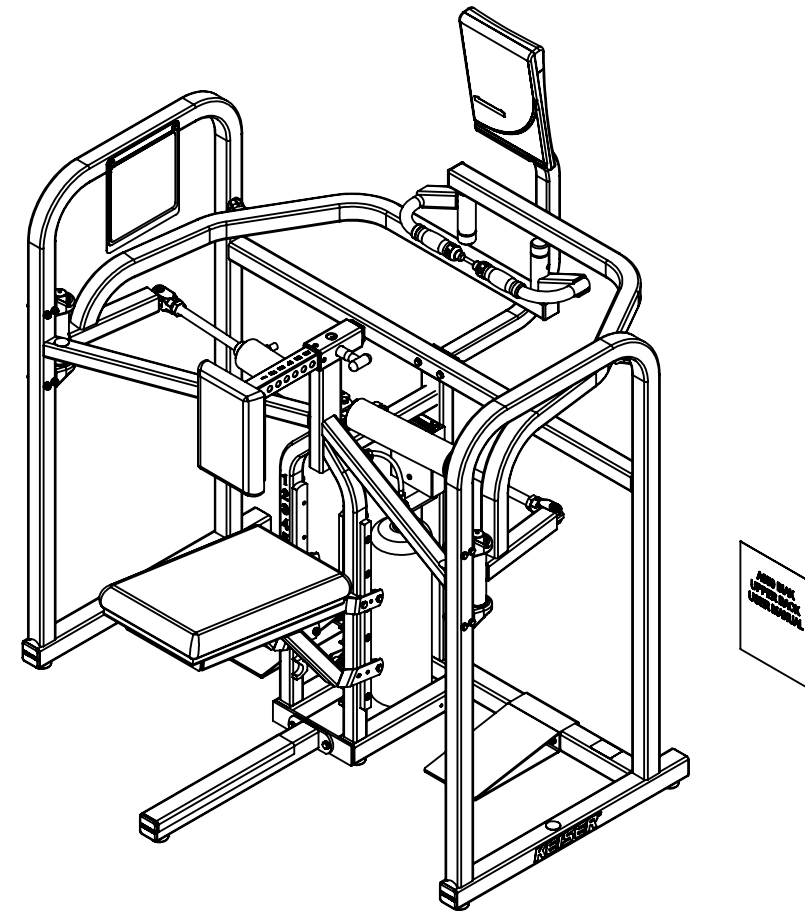
A	3808	RFP		BJU	LC	1/22/21	TITLE: A-350 BIAXIAL UPPER BACK - SA
REV	ECO		REVISION DESCRIPTION	BY	CKD	DATE	SHEET 1 OF 2 SCALE: 1:12 DRAWING SIZE: B PART#: 2035XP-SA

PRINTED ON: 1/25/2021 SW2006 V5.1

X:\drawings\APPROVED\20_UPPER_BACK

2035XP-SA

ITEM NO.	QTY.	PART NO.	TITLE	ITEM NO.	QTY.	PART NO.	TITLE
1	1	8079	CON - 3/8C X 1/4M				
2	1	8101	TEE - UNION-3/8				
3	2	9005	PIN-SPRING - 1/4 X 1	64	1	172180	PLUNGER
4	4	9009	PIN-SPRING - 1/16 X 1/2	65	1	175500	SPRING - PLUNGER
5	8	9014	SCREW - HSSS 8-32 X 1/8 SS	66	1	175502	SPRING RING - 1.750 ID
6	2	9026	SCREW - HSSS 5/16-18 X 1/4 ZP	67	1	200827	CHEST CUSHION
7	12	9079	SCREW - SCSHCS 5/16-18 X 1 ZP	68	1	200918	WELDT - EXERCISE ARM-LH
8	2	9127	SCREW - SHSS 1/2 X 1 ZP	69	1	200919	WELDT - EXERCISE ARM-RH
9	4	9174	SCREW - HHCS 5/16-18 X 1/2 ZP	70	1	200920	SEAT - A250
10	2	9176	SCREW - HHCS 5/16-18 X 1 ZP	71	2	200921	WELDT - EXERCISE HANDLE
11	10	9179	SCREW - HHCS 5/16-18 X 2-1/4 ZP	72	2	200922	WELDT - FOOTPLATE
12	2	9180	SCREW - HHCS 5/16-18 X 2-1/2 ZP	73	1	200923	WELDT - SUPPORT-CHEST
13	4	9181	SCREW - HHCS 5/16-18 X 2-3/4 ZP	74	1	200924	WELDT - MAINFRAME
14	4	9183	SCREW - HHCS 5/16-18 X 3-1/2 ZP	75	1	200926	WELDT - DISPLAY MT-350
15	2	9201	SCREW - HHCS 3/8-16 X 1 ZP	76	1	200927	WELDT - OUTRIGGER
16	1	9209	SCREW - HHCS 3/8-16 X 3 ZP	77	1	205417	PLACARD - PRNTD- 2035
17	18	9226	NUT - HELN 5/16-18 ZP	78	1	205500	MANUAL - USER - A350 BIAX UPPER BACK
18	2	9227	NUT - HRLN 3/8-16 ZP	79	1	210850	BACK CUSHION
19	3	9228	NUT - HELN 3/8-16 ZP	80	1	253040	TUBE - ROLLER
20	1	9231	NUT - HJN 3/4-10 ZP	81	3	265310	Y CONNECTOR - 1/8 DIA-PL
21	2	9272	SCREW - CRPHTS-TF #6-32 X 1/2 SS	82	2	265404	PLASTIC RIVET
22	7	9279	SCREW - SBHTS-TF 5/16-18 X 3/4 ZP	83	4	505068	BUSHING - 4 PIECE
23	7	9285	SCREW - CRPHTS 10-24 X 3/4 ZP	84	1	555059	KNOB - T-BLACK
24	6	9291	SCREW - CRPHTS 8 X 1/2 ZP	85	1	600881X	DISPLAY BOX - 5 WIN
25	28	9353	WASHER - ACFT-5/16 ZP	86	1	605056	DISPLAY BOX - BACK
26	6	9355	WASHER - FW-ACFT-3/8 SS	87	1	605428	GROUND CLAMP - DISPLAY
27	1	9364	WASHER - ITLW 3/4 ZP	88	1	953101	TUBING - Ø 3/8 OD X 1/16 W-PE BLK
28	2	9366	WASHER - ITLW #6 ZP	89	1	953108	TUBING - 1/4 URETHANE BLK
29	4	9389	WASHER - ITLW 5/16 ZP	90	1	955300	STRIP - PROTECTOR-4 INCH
30	7	105423	BUMPER - MOLDED GLIDE	91	2	962004	CON - 2MM-2-S
31	1	105443	DECAL - SERIAL NUMBER	92	6	962005	CON - MOD - P-4P-4C
32	2	110830	ASSY - TB VALVE-DIG	93	1	962016	CON - MOD-COUPLER-6-6
33	2	110847	ASSY - EC-2.5 X 7	94	4	962017	CON-MOD-P-6P-6C
34	4	110894	BEARING ASSY	95	1	966701	WIRE - CABLE-4-26 GA
35	1	110897	ASSY - QD-MALE	96	1	966702	WIRE - CABLE-6-26GA
36	1	115000	BUSHING - TANK	97	1	990806	ASSY - PROCESSOR BOX
37	2	115005	CLEVIS - CYLINDER-2-1/2	98	3	990812	KEY - DATA-CS
38	4	115051	BEARING - FLANGE-.5 ID	99	2	995000	COLLAR - GRIP
39	5	115054	PLUG - 2 IN SQ-KEISER	100	2	995001	CAP - GRIP W HOLE
40	2	115059	CAP - 1-3/4 SQ	101	2	995160	GRIP - MOLDED
41	4	115067	CAP - Ø 1 X 3/4	102	1	995300	DECAL - TB-PLUS
42	1	115323	FILTER - IN LINE	103	1	995301	DECAL - TB-MINUS
43	1	115333	O-RING - .943 X .737 X .103	104	1	995307	DECAL - SEAT, CHEST-POWER
44	2	115372	DECAL - KEISER LOGO-1 1/4" RED	105	1	995324	DECAL - MADE IN THE USA
45	6	115404	PLUG - HOLE-1 DIA	106	1	995381	DECAL - SERIAL NUMBER - STRENGTH
46	19	115423	TIE - 8 IN-PL BLK	107	1	995418	BAG - 4 X 6 X 4MIL-ZIP LOCK
47	1	115429	PLASTIC TIE - 10" RED	108	1	995615	PLACARD - ENG-POWER-BLK
48	8	115430	PLASTIC TIE - 3" BLK	109	1	995616	PLACARD - ENG-KEY-RED
49	4	132181	TUBE - ROLLER				
50	8	132200	AXLE				
51	4	132201	AXLE - THREADED				
52	2	135005	SEAT - RACK				
53	2	135006	SEAT - RAIL				
54	2	135049	CAP - Ø 1 ID				
55	4	135050	BEARING - FLANGE-1" ID				
56	6	135055	STEM BUMPER				
57	12	135060	ROLLER				
58	1	135061	1.5 SQ.INSRT GLD-RIBS				
59	4	135076	PLASTIC BUMPER				
60	1	135306	DECAL - SEAT-1-10				
61	2	135422	RUBBER CRUTCH TIP - #20 BLK				
62	1	155369	TANK - 300 CU IN-PAINTED				
63	1	170891	ASSY - MUFFLER-LONG				



PRINTED ON: 1/25/2021 SW2006 V5.1

X:\drawings_APPROVED\20_UPPER_BACK

KEISER®

2470 South Cherry Ave. Phone: (559) 256-8000
 Fresno, CA, USA 93706-5004 Fax: (559) 256-8100

THE INFORMATION DISCLOSED HEREIN WAS ORIGINATED BY AND IS THE PROPERTY OF KEISER CORP. AND ALL PATENT, PROPRIETARY, DESIGN, USE, SALE, MANUFACTURING, AND REPRODUCTION RIGHTS THERETO ARE RESERVED BY KEISER CORP.

DIMENSIONS ARE IN INCHES
 DIMENSIONS IN [] ARE MILLIMETERS
 BREAK SHARP EDGES .005-.015 (.10-.40)
 MACHINED SURFACE FINISH IS
 63 MICROINCHES [1.6 MICROMETERS]
 DO NOT SCALE DRAWING

DRAWN BY: BJU DATE DRAWN: 10/13/20 CHECKED BY: LC DATE CHECKED: 1/22/21

MATERIAL: RAW MAT:

TITLE: **A-350 BIAXIAL UPPER BACK - SA**

SHEET 2 OF 2 SCALE: 1:16 DRAWING SIZE: B PART#: 2035XP-SA

REV	ECO	RFP	BY	CKD	DATE	REVISION DESCRIPTION
A	3808	RFP	BJU	LC	1/22/21	