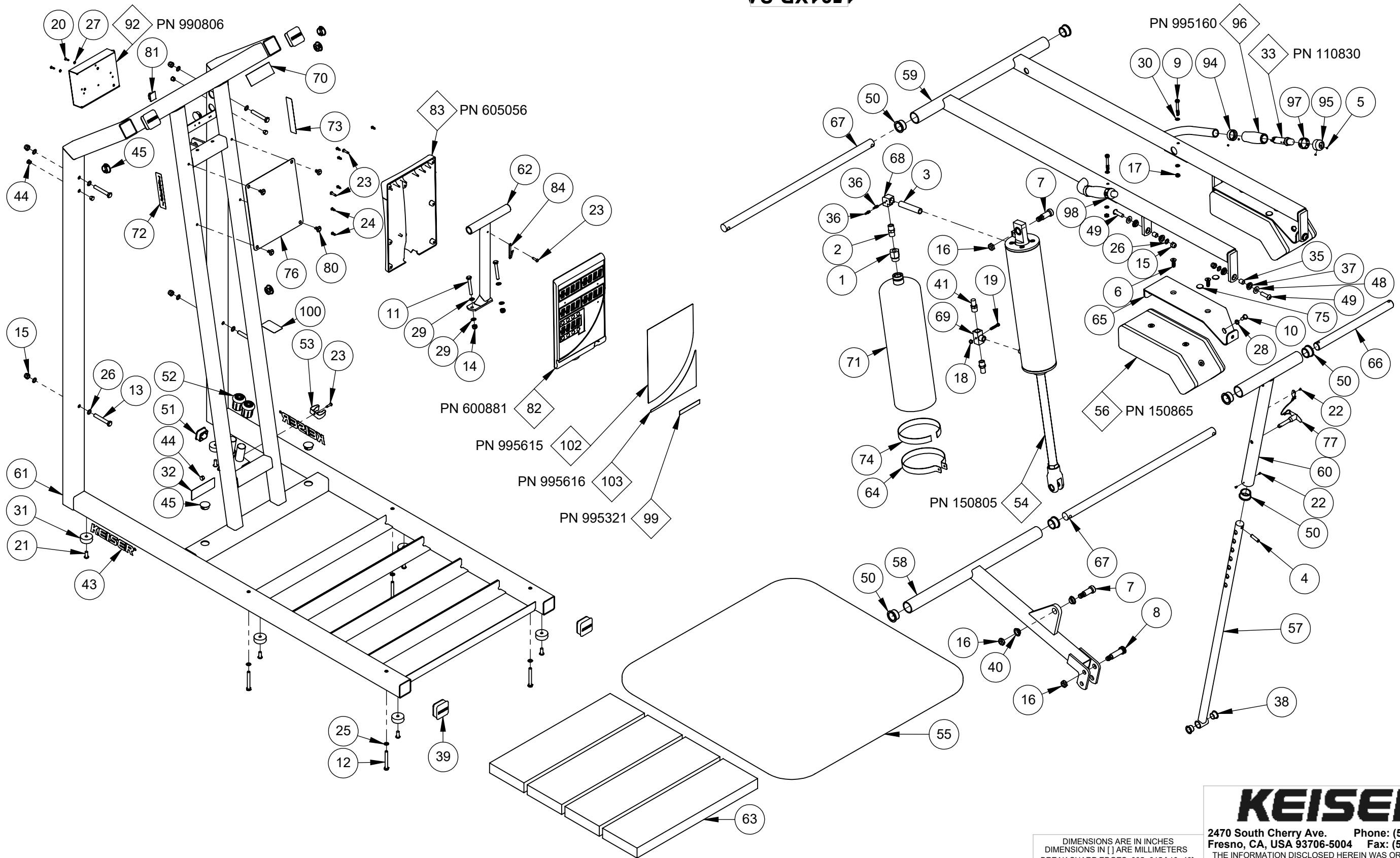


1531XP-SA



◆ COMMONLY SERVICED COMPONENTS

NOTE:

1531XP-SA COVERS THE FOLLOWING MODELS: 1531BP, 1531PP AND 1531XP

A			3809	RFP	BJU	LC	10/26/20	TITLE: <b>A-300 SQUAT - PWR-SA</b>				
REV	ECO	REVISION DESCRIPTION				BY	CKD	DATE	SHEET <b>1</b> OF <b>2</b>	SCALE: <b>1:12</b>	DRAWING SIZE: <b>B</b>	PART#: <b>1531XP-SA</b>

DIMENSIONS ARE IN INCHES  
DIMENSIONS IN [ ] ARE MILLIMETERS  
BREAK SHARP EDGES .005-.015 [.10-.40]  
MACHINED SURFACE FINISH IS  
63 MICROINCHES [1.6 MICROMETERS]  
DO NOT SCALE DRAWING

**KEISER®**  
2470 South Cherry Ave. Phone: (559) 256-8000  
Fresno, CA, USA 93706-5004 Fax: (559) 256-8100  
THE INFORMATION DISCLOSED HEREIN WAS ORIGINATED BY  
AND IS THE PROPERTY OF KEISER CORP. AND ALL PATENT,  
PROPRIETARY, DESIGN, USE, SALE, MANUFACTURING, AND  
REPRODUCTION RIGHTS THERETO ARE RESERVED BY KEISER  
CORP.

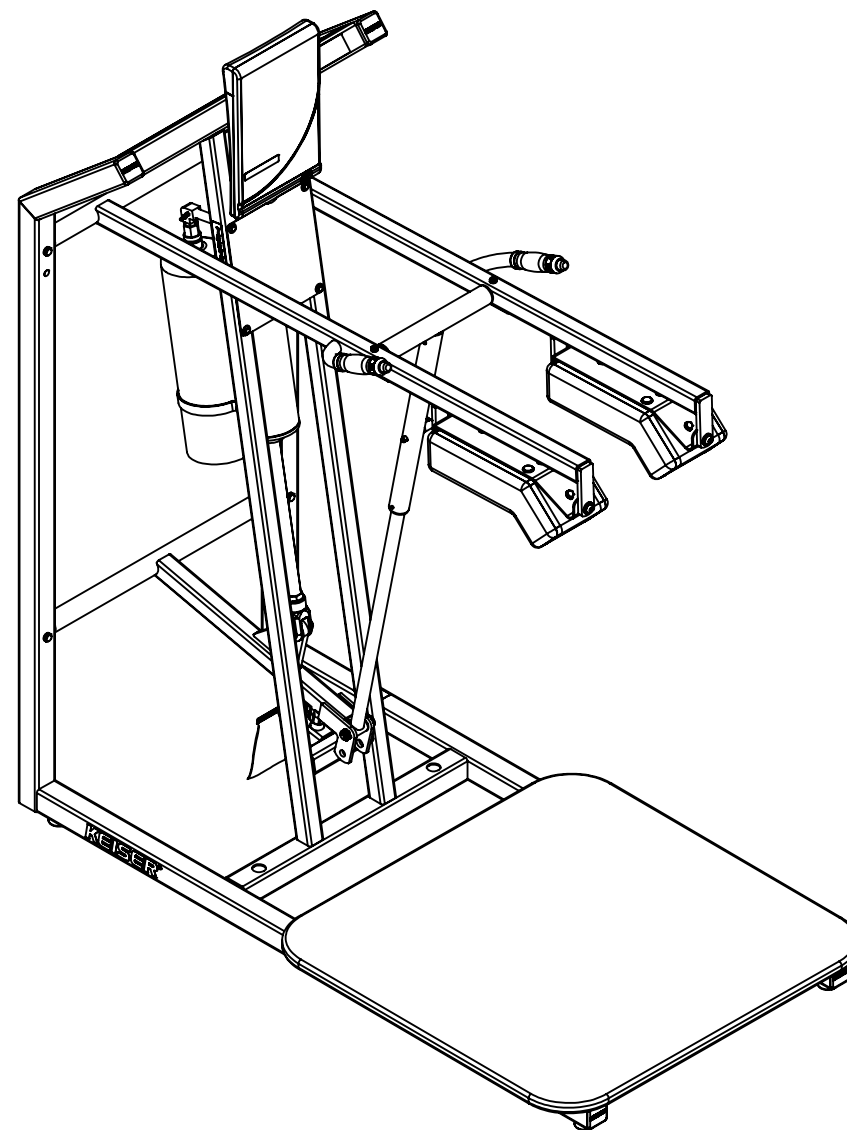
DRAWN BY: BJU DATE DRAWN: 10/23/20 CHECKED BY: LC DATE CHECKED: 10/26/20

MATERIAL: RAW MAT:

X:\drawings\REVISION\15\_SQUAT\_1 PRINTED ON: 10/26/2020SW2006 V5.1

ITEM NO.	QTY.	PART NO.	TITLE	ITEM NO.	QTY.	PART NO.	TITLE
1	1	8301	BUSH - SPT-7/8 X 3/8	64	1	152050	STRAP - TANK
2	1	8352	NIPPLE - HN-3/8	65	2	152113	PLATE - SHOULDER PAD
3	1	8477	NIPPLE - LN-3/8 X 3-1/2	66	1	152240	SHAFT - DRAG LINK-UPPER
4	1	9006	PIN-SPRING 5/16 X 1-1/8 ZP	67	2	152244	SHAFT - PIVOT
5	8	9014	SCREW - HSSS 8-32 X 1/8 SS	68	1	155003	ELBOW - 3/8 F-TAPPED
6	4	9075	SCREW - SFCHCS 5/16-18 X 1 ZP	69	1	155008	TEE - MUFFLER
7	2	9128	SCREW - SHSS 5/8 X 1-1/4 ZP	70	1	155300	DECAL - CAUTION BK INJURIES
8	1	9129	SCREW - SHSS 5/8 X 1 3/4 BLK	71	1	155369	TANK - 300 CU IN-PAINTED
9	2	9152	SCREW - HHCS 1/4-20 X 2 ZP	72	1	155370	DECAL - POSITION-SQUAT ARM-L
10	2	9175	SCREW - HHCS 5/16-18 X 3/4 ZP	73	1	155371	DECAL - POSITION-SQUAT ARM-R
11	2	9179	SCREW - HHCS 5/16-18 X 2-1/4 ZP	74	1	155407	TAPE - FOAM-3/4 W
12	4	9180	SCREW - HHCS 5/16-18 X 2-1/2 ZP	75	4	155409	BUMPER - 13/16 DIA-CLEAR
13	4	9207	SCREW - HHCS 3/8-16 X 2-1/2 ZP	76	1	155447	PLACARD - A300-PRNTD
14	2	9226	NUT - HELN 5/16-18 ZP	77	1	155500	LOCK PIN
15	8	9228	NUT - HELN 3/8-16 ZP	78	1	170891	ASSY - MUFFLER-LONG
16	3	9230	NUT - HELN 1/2-13 ZP	79	1	265310	Y CONNECTOR - 1/8 DIA-PL
17	2	9242	NUT - HEJN 1/4-20 ZP	80	4	265404	PLASTIC RIVET
18	1	9246	NUT - HELN 10-24 ZP	81	1	545055	ANCHOR - CABLE PL
19	1	9254	SCREW - HHMS #10-24 X 1-1/4 ZP	82	1	600881	DISPLAY BOX 5 - WIN
20	2	9272	SCREW - CRPHTS-TF #6-32 X 1/2 SS	83	1	605056	DISPLAY BOX - BACK
21	6	9279	SCREW - SBHTS-TF 5/16-18 X 3/4 ZP	84	1	605428	GROUND CLAMP - DISPLAY
22	3	9284	SCREW - CRFHMS TAB 4-24 X 0250 SS	85	1	953108	TUBING - 1/4 URETHANE BLK
23	4	9285	SCREW - CRPHTS 10-24 X 3/4 ZP	86	2	962004	CON - 2MM-2-S
24	6	9291	SCREW - CRPHTS 8 X 1/2 ZP	87	4	962005	CON - MOD-P-4P-4C
25	4	9353	WASHER - ACFT-5/16 ZP	88	1	962016	CON - MOD-COUPLER-6-6
26	12	9355	WASHER - FW-ACFT-3/8 SS	89	4	962017	CON - MOD-P-6P-6C
27	2	9366	WASHER - ITLW #6 ZP	90	1	966701	WIRE - CABLE-4-26 GA
28	2	9369	WASHER - ACFT 5/16 SS	91	1	966702	WIRE - CABLE-6-26GA
29	4	9389	WASHER - ITLW 5/16 ZP	92	1	990806	ASSY - PROCESSOR BOX
30	4	9391	WASHER - FW-ACFT 1/4 SS	93	3	990812	KEY - DATA-CS
31	6	105423	BUMPER - MOLDED GLIDE	94	2	995000	COLLAR - GRIP
32	1	105443	DECAL - SERIAL NUMBER	95	2	995001	CAP - GRIP W HOLE
33	2	110830	ASSY - TB VALVE-DIG	96	2	995160	GRIP - MOLDED
34	1	110897	ASSY - QD-MALE	97	1	995300	DECAL - TB-PLUS
35	4	113040	SHOULDER SLEEVE - 1/2 X 1/2	98	1	995301	DECAL - TB-MINUS
36	2	115019	BARBED CONN - 1/4 X 10-32	99	1	995321	DECAL - SHOULDER PAD-POWER
37	8	115051	BEARING - FLANGE-.5 ID	100	1	995324	DECAL - MADE IN THE USA
38	2	115052	BEARING - FLANGE-.625 ID	101	1	995418	BAG - 4 X 6 X 4MIL-ZIP LOCK
39	4	115054	PLUG - 2 IN SQ-KEISER	102	1	995615	PLACARD - ENG-POWER-BLK
40	2	115056	BEARING - FLANGE-.625 ID SHORT	103	1	995616	PLACARD - ENG-KEY-RED
41	1	115318	MUFFLER - EXHAUST-3/8				
42	1	115323	FILTER - IN LINE				
43	2	115372	DECAL - KEISER LOGO-1 1/4" RED				
44	5	115402	PLUG - HOLE-3/8 DIA				
45	7	115404	PLUG - HOLE-1 DIA				
46	11	115423	TIE - 8 IN-PL BLK				
47	1	115429	PLASTIC TIE - 10" RED				
48	4	115450	WASHER - FW .88 X .39 X .07 NP				
49	4	115451	SCREW - SBHCS 3/8-16 X 1-1/4 NP				
50	7	135050	BEARING - FLANGE-1" ID				
51	1	135056	CAP - 1.500 SQ-PL				
52	2	135422	RUBBER CRUTCH TIP - #20 BLK				
53	1	135426	FILTER CLIP				
54	1	150805	ASSY - EC-4 X12				
55	1	150851	ASSY - FOOT PAD				
56	2	150865	ASSY - SHOULDER CUSHION				
57	1	150903	WELDT - DRAG LINK-BOTTOM ADJ				
58	1	150904	LEVER ARM				
59	1	150905	WELDT - EX ARM				
60	1	150909	WELDT - DRAG LINK-TOP ADJ				
61	1	150911	MAIN FRAME - SQUAT				
62	1	150915	WELDT - DISPLAY MT				
63	4	151170	EXTRA WEIGHT 1.5X6X21				

1531XP-SA



**KEISER®**

2470 South Cherry Ave. Phone: (559) 256-8000  
 Fresno, CA, USA 93706-5004 Fax: (559) 256-8100

THE INFORMATION DISCLOSED HEREIN WAS ORIGINATED BY AND IS THE PROPERTY OF KEISER CORP. AND ALL PATENT, PROPRIETARY, DESIGN, USE, SALE, MANUFACTURING, AND REPRODUCTION RIGHTS THERETO ARE RESERVED BY KEISER CORP.

DIMENSIONS ARE IN INCHES  
 DIMENSIONS IN [ ] ARE MILLIMETERS  
 BREAK SHARP EDGES .005-.015 [.10-.40]  
 MACHINED SURFACE FINISH IS  
 63 MICROINCHES [1.6 MICROMETERS]  
 DO NOT SCALE DRAWING

DRAWN BY: BJU DATE DRAWN: 10/23/20 CHECKED BY: LC DATE CHECKED: 10/26/20

MATERIAL: RAW MAT:

TITLE: A-300 SQUAT - PWR-SA

SHEET 2 OF 2 SCALE: 1:14 DRAWING SIZE: B PART#: 1531XP-SA

REV	ECO	RFP	BY	CKD	DATE
A	3809	RFP	BJU	LC	10/26/20
REV	ECO		BY	CKD	DATE

X:\drawings\REVISION\15\_SQUAT\_1 PRINTED ON: 10/26/2020SW2006 V5.1