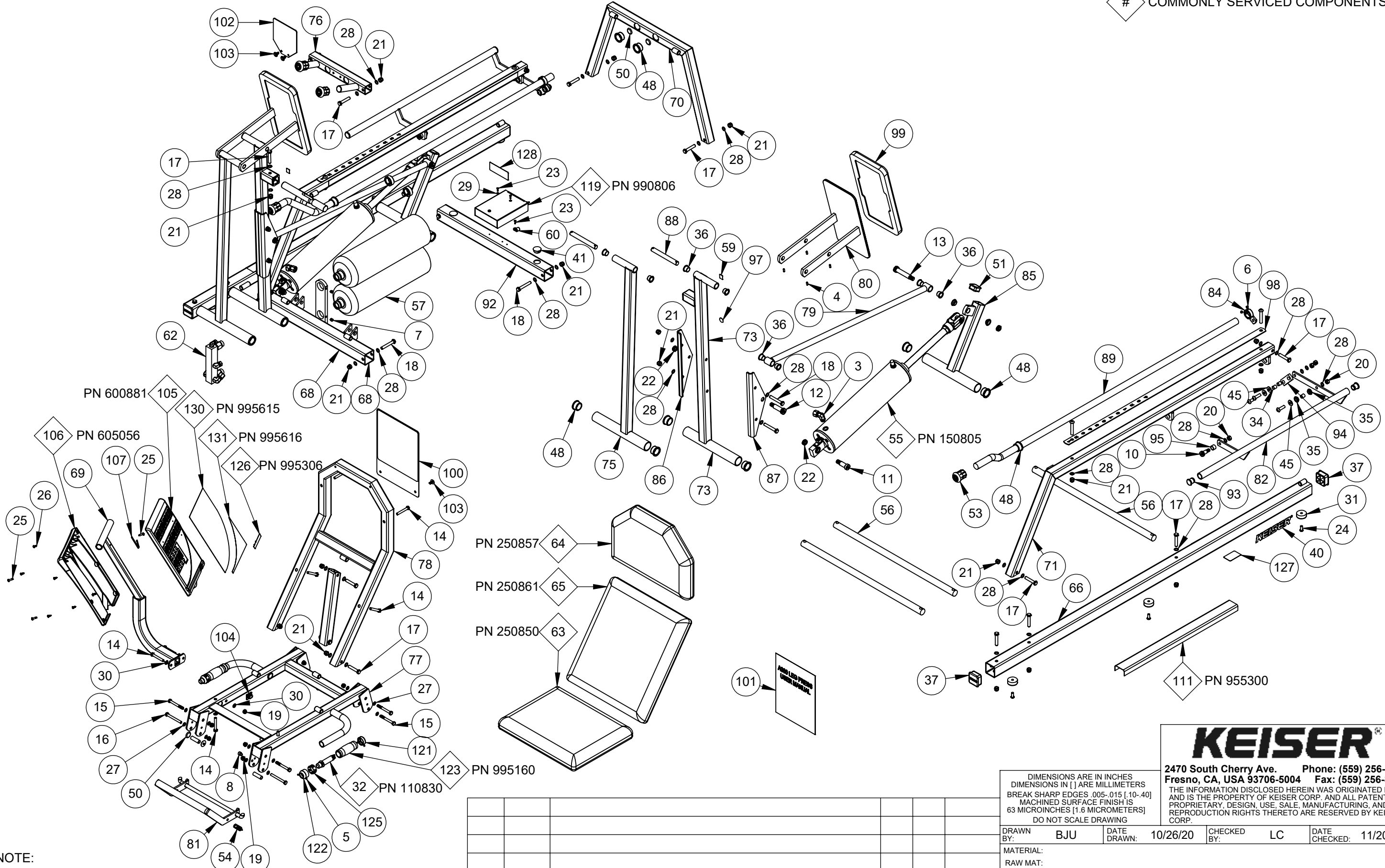


2531XP-SA

COMMONLY SERVICED COMPONENTS



NOTE:

2531XP-SA COVERS THE FOLLOWING MODELS: 2531BP AND 2531SP

DIMENSIONS ARE IN INCHES
 DIMENSIONS IN [] ARE MILLIMETERS
 BREAK SHARP EDGES .005-.015 [.10-.40]
 MACHINED SURFACE FINISH IS
 63 MICROINCHES [1.6 MICROMETERS]
 DO NOT SCALE DRAWING

KEISER[®]
 2470 South Cherry Ave. Phone: (559) 256-8000
 Fresno, CA, USA 93706-5004 Fax: (559) 256-8100
 THE INFORMATION DISCLOSED HEREIN WAS ORIGINATED BY
 AND IS THE PROPERTY OF KEISER CORP. AND ALL PATENT,
 PROPRIETARY, DESIGN, USE, SALE, MANUFACTURING, AND
 REPRODUCTION RIGHTS THERETO ARE RESERVED BY KEISER
 CORP.

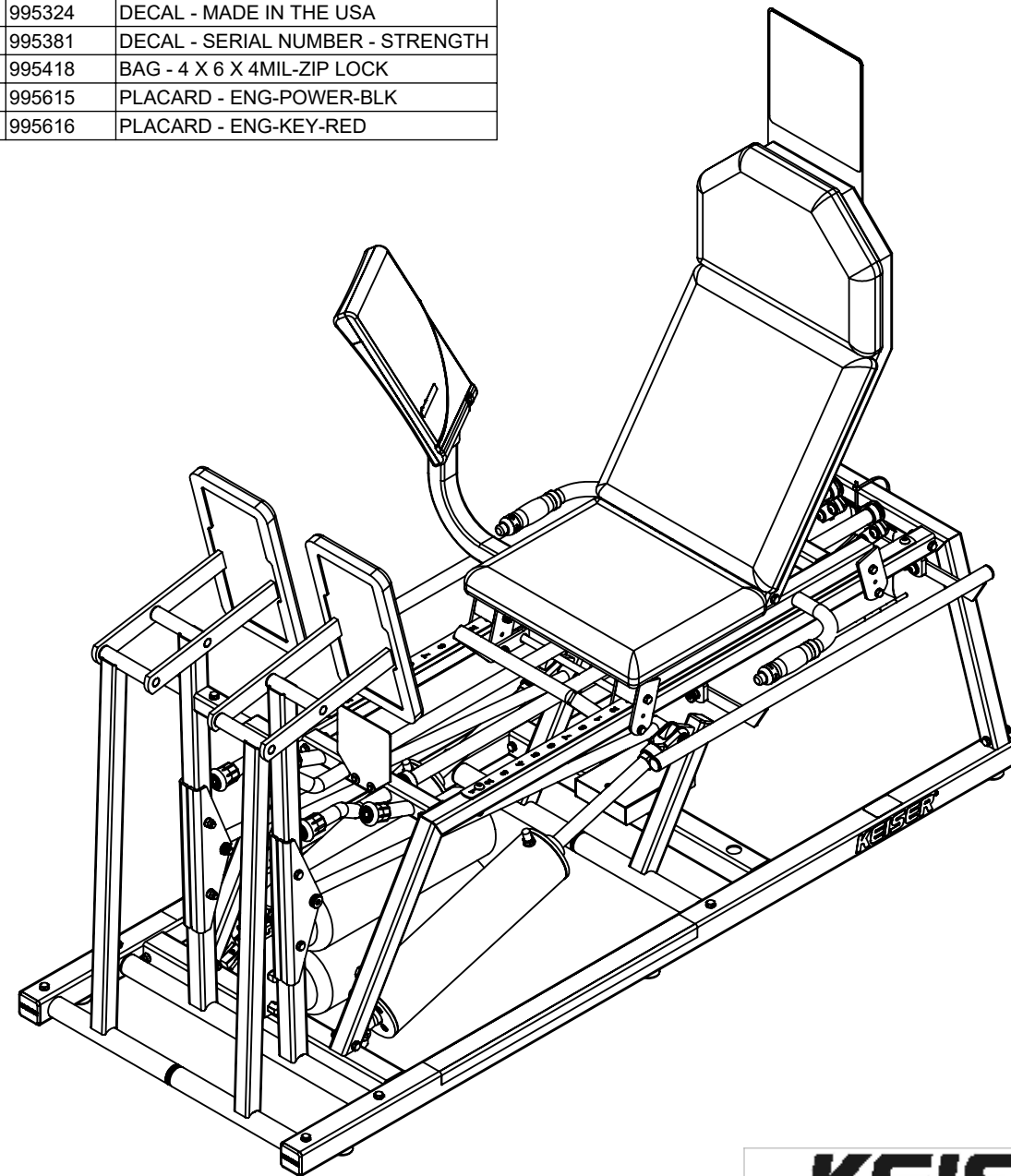
REV	ECO	REVISION DESCRIPTION	BY	CKD	DATE	TITLE:	SHEET 1 OF 2	SCALE:	1:14	DRAWING SIZE:	B	PART#:	2531XP-SA
A	3813	RFP	BJU	LC	11/20/20								
			BJU	LC	11/20/20	A-300 LEG PRESS - PWR-SA							
			BJU	LC	11/20/20	A-300 LEG PRESS - PWR-SA							
			BJU	LC	11/20/20	A-300 LEG PRESS - PWR-SA							

X:\drawings\APPROVED\25_LEG_PRESS\ PRINTED ON: 12/2/2020 SW2006 V5.1

ITEM NO.	QTY.	PART NO.	TITLE	ITEM NO.	QTY.	PART NO.	TITLE
1	3	8053	TUBE - INSERT-1/8	64	1	250857	HEAD CUSHION
2	1	8125	TEE - 0375C X 0250C X 0250C	65	1	250861	BACK CUSHION
3	2	8155	ELBOW - 1/2C X 3/8M	66	1	250900	L BOT FRM
4	8	9001	PIN SPRING - 3/16 X 1/2	67	1	250901	R BOT FRM
5	8	9014	SCREW - HSSS 8-32 X 1/8 SS	68	1	250902	WELDT - CYLINDER MT
6	6	9026	SCREW - HSSS 5/16-18 X 1/4 ZP	69	1	250903	WELDT - DISPLAY MT
7	2	9027	SCREW - HSSS 0313-18 X 0375 ZP	70	1	250904	BACK FRAME
8	1	9104	SCREW - SHCS 5/16-18 X 1/4 ZP	71	1	250905	WELDT - CENTER FRAME-LH
9	4	9112	SCREW - SBHCS-0375 16 X 2250 ZP	72	1	250906	WELDT - CENTER FRAME-RH
10	2	9126	SCREW - SHSS 1/2 X 3/4 ZP	73	1	250907	WELDT - EA-LH
11	2	9128	SCREW - SHSS 5/8 X 1-1/4 ZP	74	1	250908	ASSY - EA-RH
12	2	9129	SCREW - SHSS 5/8 X 1 3/4 BLK	75	2	250909	WELDT - EXT ARM
13	2	9130	SCREW - SHSS 5/8 X 2 3/4 BLK	76	1	250910	ARM STOP-A300 BLK
14	8	9179	SCREW - HHCS 5/16-18 X 2-1/4 ZP	77	1	250911	WELDT - SEAT BOT
15	6	9181	SCREW - HHCS 5/16-18 X 2 3/4 ZP	78	1	250912	SEAT BACK
16	2	9184	SCREW - HHCS 0313-18 X 3000 ZP	79	2	250913	DRAG LINK
17	19	9205	SCREW - HHCS 3/8-16 X 2 ZP	80	2	250914	PEDAL - FOOT
18	8	9207	SCREW - HHCS 3/8-16 X 2-1/2 ZP	81	1	250916	SEAT LOCK
19	10	9226	NUT - HELN 5/16-18 ZP	82	1	250919	STOP HANDLE - L
20	8	9227	NUT - HRLN 3/8-16 ZP	83	1	250920	STOP HANDLE - R
21	31	9228	NUT - HELN 3/8-16 ZP	84	2	250921	COLLAR - CONNECTOR
22	6	9230	NUT - HELN 1/2-13 ZP	85	2	250923	WELDT - LEVER ARM
23	4	9272	SCREW - CRPHTS-TF #6-32 X 1/2 SS	86	2	252000	BRKT - DRAGLINK-0500 H X 0750 H
24	6	9279	SCREW - SBHTS-TF 5/16-18 X 3/4 ZP	87	2	252001	BRKT - DRAGLINK-LH
25	3	9285	SCREW - CRPHTS 10-24 X 3/4 ZP	88	4	252180	SHAFT - FOOT PEDAL
26	6	9291	SCREW - CRPHTS 8 X 1/2 ZP	89	2	252242	SHAFT - LONG-ARM STOP
27	22	9353	WASHER - ACFT-5/16 ZP	90	1	252247	ROD - ARM LOCK
28	60	9355	WASHER - FW-ACFT-3/8 SS	91	1	254171	TUBE - BOTTOM CENTER-SEAT BACK
29	2	9366	WASHER - ITLW #6 ZP	92	1	254203	TUBE - CROSS-BOTTOM
30	4	9389	WASHER - ITLW 5/16 ZP	93	4	255051	CAP - Ø1-PL
31	6	105423	BUMPER - MOLDED GLIDE	94	2	255052	PLASTIC CONNECTOR
32	2	110830	ASSY - TB VALVE-DIG	95	2	255053	SLEEVE BUSHING
33	1	110897	ASSY - QD-MALE	96	1	255057	LOCKING SLEEVE
34	6	113040	SHOULDER SLEEVE - 1/2 X 1/2	97	2	255300	RED DOT
35	4	115051	BEARING - FLANGE-.5 ID	98	2	255407	TO SEAT STOP SS
36	16	115052	BEARING - FLANGE-.625 ID	99	2	255420	FOOT PAD
37	4	115054	PLUG - 2 IN SQ-KEISER	100	1	255447	PLACARD - A300 LEG PRESS-PRNTD
38	4	115056	BEARING - FLANGE-.625 ID SHORT	101	1	255501	MANUAL - USER - A300 LEG PRESS
39	1	115323	FILTER - IN LINE	102	1	255603	PLACARD ENG 300 LOCK BAR
40	2	115372	DECAL - KEISER LOGO-1 1/4" RED	103	4	265404	PLASTIC RIVET
41	2	115404	PLUG - HOLE-1 DIA	104	1	545055	ANCHOR - CABLE PL
42	1	115422	CLAMP - CABLE-Ø 1/4 TUBE	105	1	600881	DISPLAY BOX 5 - WIN
43	19	115423	TIE - 8 IN-PL BLK	106	1	605056	DISPLAY BOX - BACK
44	1	115429	PLASTIC TIE - 10" RED	107	1	605428	GROUND CLAMP - DISPLAY
45	6	115450	WASHER - FW .88 X .39 X .07 NP	108	1	953101	TUBING - .375 OD X .062 W-PE BLK
46	6	115451	SCREW - SBHCS 3/8-16 X 1-1/4 NP	109	1	953102	TUBING - .500 OD X .062 W-PE BLK
47	4	133040	TUBE - ROLLER	110	1	953108	TUBING - 1/4 URETHANE BLK
48	16	135050	BEARING - FLANGE-1" ID	111	2	955300	STRIP - PROTECTOR-4 INCH
49	4	135053	SEAT ROLLER - LONG	112	2	955306	TAPE - 6.7 MIL UHMW-1"
50	6	135055	STEM BUMPER	113	2	962004	CON - 2MM-2-S
51	2	135056	CAP - 1.500 SQ-PL	114	6	962005	CON - MOD - P-4P-4C
52	2	135403	SEAT SLEEVE	115	1	962016	CON - MOD-COUPLER-6-6
53	4	135422	RUBBER CRUTCH TIP - #20 BLK	116	4	962017	CON-MOD-P-6P-6C
54	1	135424	SPRING - PEDAL	117	1	966701	WIRE - CABLE-4-26 GA
55	2	150805	ASSY - EC-4 X12	118	1	966702	WIRE - CABLE-6-26GA
56	3	152244	SHAFT - PIVOT				
57	2	155369	TANK - 300 CU IN-PAINTED				
58	1	170891	ASSY - MUFFLER-LONG				
59	1	205331	DECAL - 1-2				
60	2	215421	CLAMP - CABLE-0375				
61	2	222350	GRIP COLLAR - 1500 OD				
62	1	250808X	MANIFOLD ASSY				
63	1	250850	SEAT CUSHION				

2531XP-SA

ITEM NO.	QTY.	PART NO.	TITLE
119	1	990806	ASSY - PROCESSOR BOX
120	3	990812	KEY - DATA-CS
121	2	995000	COLLAR - GRIP
122	2	995001	CAP - GRIP W HOLE
123	2	995160	GRIP - MOLDED
124	1	995300	DECAL - TB-PLUS
125	1	995301	DECAL - TB-MINUS
126	1	995306	DECAL - SEAT, LEG-POWER
127	1	995324	DECAL - MADE IN THE USA
128	1	995381	DECAL - SERIAL NUMBER - STRENGTH
129	1	995418	BAG - 4 X 6 X 4MIL-ZIP LOCK
130	1	995615	PLACARD - ENG-POWER-BLK
131	1	995616	PLACARD - ENG-KEY-RED



A300 LEG PRESS
USER MANUAL

KEISER®

2470 South Cherry Ave. Phone: (559) 256-8000
Fresno, CA, USA 93706-5004 Fax: (559) 256-8100

THE INFORMATION DISCLOSED HEREIN WAS ORIGINATED BY AND IS THE PROPERTY OF KEISER CORP. AND ALL PATENT, PROPRIETARY, DESIGN, USE, SALE, MANUFACTURING, AND REPRODUCTION RIGHTS THERETO ARE RESERVED BY KEISER CORP.

DIMENSIONS ARE IN INCHES
DIMENSIONS IN [] ARE MILLIMETERS
BREAK SHARP EDGES .005-.015 [.10-.40]
MACHINED SURFACE FINISH IS
63 MICROINCHES [1.6 MICROMETERS]
DO NOT SCALE DRAWING

DRAWN BY: BJU	DATE DRAWN: 10/26/20	CHECKED BY: LC	DATE CHECKED: 11/20/20
----------------------	-----------------------------	-----------------------	-------------------------------

MATERIAL:
RAW MAT:

TITLE: **A-300 LEG PRESS - PWR-SA**

SHEET **2** OF **2** SCALE: **1:12** DRAWING SIZE: **B** PART#: **2531XP-SA**

REV	ECO	RFP	BY	CKD	DATE
A	3813	RFP	BJU	LC	11/20/20