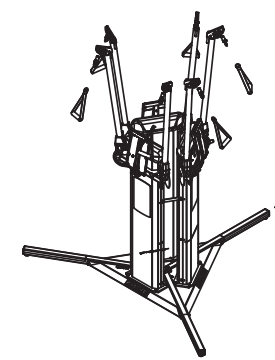
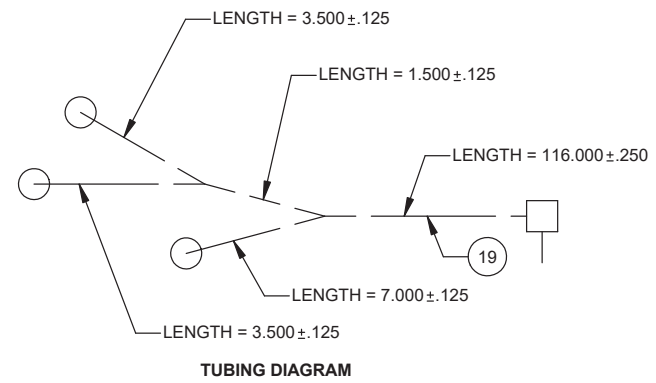
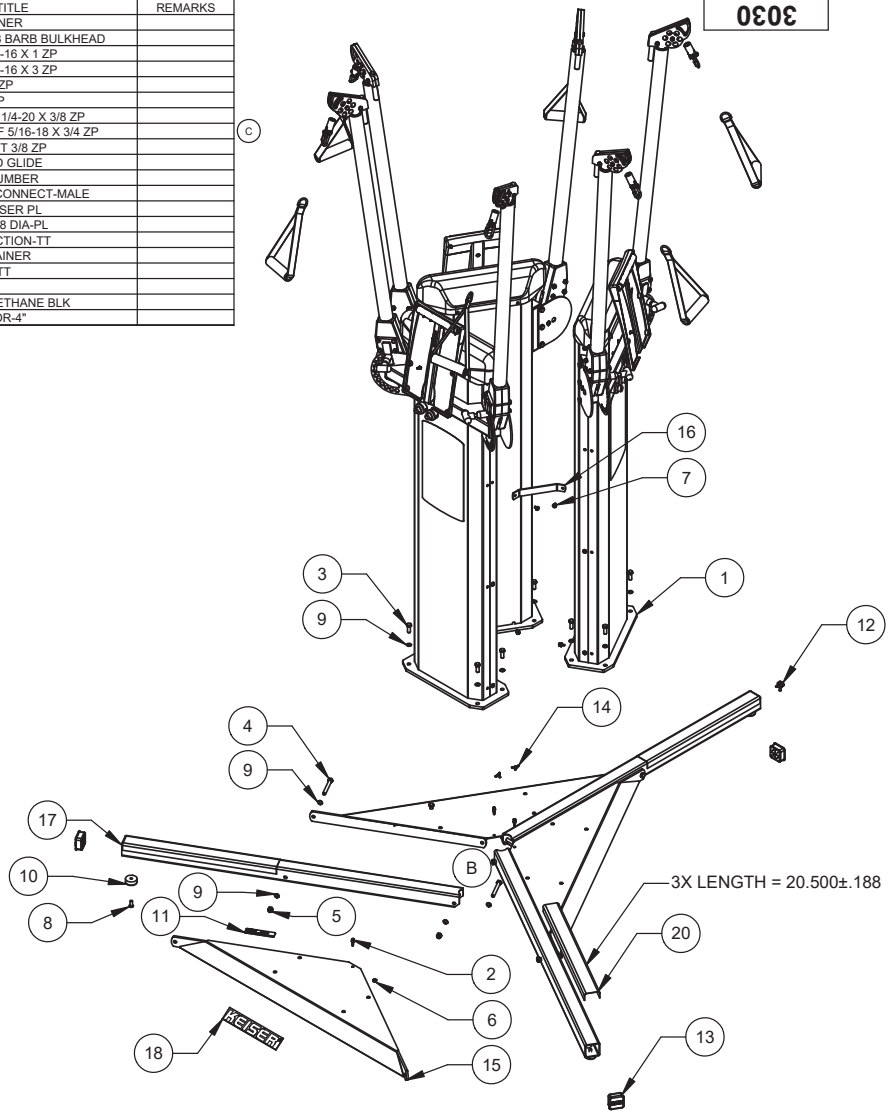


ITEM NO.	QTY.	DS	PART NO.	TITLE	REMARKS
1	3	B	3020	FUNCTIONAL TRAINER	
2	3	A	8086	LUER - FEMALE-1/8 BARB BULKHEAD	
3	12	-	9201	SCREW - HHCS 3/8-16 X 1 ZP	
4	6	-	9209	SCREW - HHCS 3/8-16 X 3 ZP	
5	6	-	9228	NUT - HELN 3/8-16 ZP	
6	3	-	9239	NUT - HJN 1/4-28 ZP	
7	6	-	9267	SCREW - CRPHMS 1/4-20 X 3/8 ZP	
8	3	-	9279	SCREW - SBHTS-TF 5/16-18 X 3/4 ZP	
9	24	-	9355	WASHER - FW ACFT 3/8 ZP	
10	3	A	105423	BUMPER - MOLDED GLIDE	
11	1	A	105443	DECAL - SERIAL NUMBER	
12	1	A	110897	ASSY - QUICK DISCONNECT-MALE	
13	3	B	115054	PLUG - 2 IN SQ KEISER PL	
14	2	A	265310	Y CONNECTOR - 1/8 DIA-PL	
15	3	B	300935	WELDT - BASE SECTION-TT	
16	3	A	301805	BRKT - TRIPLE TRAINER	
17	3	A	304208	TUBE - BASE LEG-TT	
18	3	A	305603	DECAL - KEISER	
19	1	A	953108	TUBING - Ø1/4 URETHANE BLK	
20	1	A	955300	STRIP - PROTECTOR-4*	

0303



C	2417	WAS SCREW - HWHTS 5/16-18 X 3/4 ZP	SAB	DLK	12/23/04				
SYMBOL	RCD#	REVISION DESCRIPTION	BY	CKD	DATE				

DIMENSIONS ARE IN INCHES
DIMENSIONS IN [] ARE MILLIMETERS
BREAK SHARP EDGES .005-.015 [10-.40]
MACHINED SURFACE FINISH IS
63 MICRONS [1.6 MICROMETERS]
DO NOT SCALE DRAWING

2470 South Cherry Ave. Phone: (559) 256-8000
Fresno, CA, USA 93706-5004 Fax: (559) 256-8100

THE INFORMATION DISCLOSED HEREIN WAS ORIGINATED BY
AND IS THE PROPERTY OF KEISER CORP. AND ALL PATENT,
PROPRIETARY, DESIGN, USE, SALE, MANUFACTURING, AND
REPRODUCTION RIGHTS THERETO ARE RESERVED BY KEISER
CORP.

DRAWN BY: SAB	DATE DRAWN: 9/3/03	CHECKED BY: DLK	DATE CHECKED: 10/22/03
---------------	--------------------	-----------------	------------------------

RAW MAT:

TITLE: **TRIPLE TRAINER**

SHEET 1 OF 2 SCALE: 1:40 DRAWING SIZE: B PART#: 3030

X:\drawings\APPROVED\30_PULLEY_MACHINES\ PRINTED ON: 12/28/2004 6W/2001 V5