

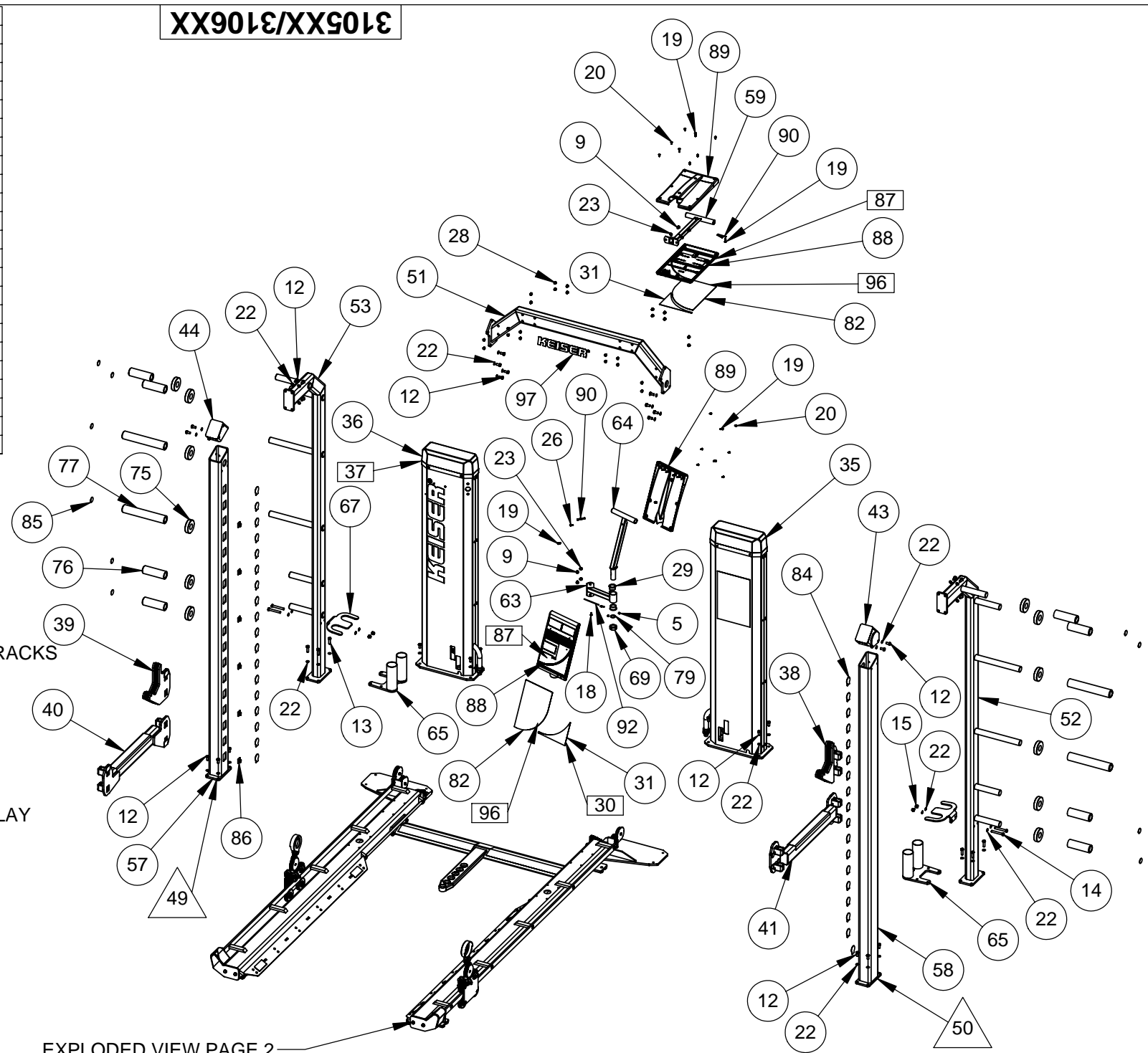
ITEM NO.	QTY.	DS	PART NO.	TITLE	ITEM NO.	QTY.	DS	PART NO.	TITLE
1	2	-	8025	UNION 3/8C X 1/4C	75	12	A	315050	COLLAR - WT STORAGE-FW
2	4	A	8053	TUBE - INSERT-1/8	76	8	A	315053	SLEEVE - WT STORAGE-10LB
3	1	A	8225	TEE - 1/4C X 1/4C X 1/8M	77	4	A	315055	SLEEVE - WT STORAGE-45LB
4	4	-	9001	PIN SPRING - 3/16 X 1/2	78	6	A	315069	HOLDER - PEDAL
5	2	-	9026	SET SCREW - HSSS 5/16-18 X 1/4 ZP	79	1	A	315310	ORING - .875 ID X .125 CS-70 DURO
6	24	-	9056	SCREW - CRFHMS #10-32 X 5/16 SS	80	4	A	315402	PAD - FOOT-FW
7	10	-	9078	SCREW - SCSHCS 3/8-16 X 3/4 ZP	81	4	A	315413	SPRING - EXT-FOOT PEDAL
8	6	-	9108	SCREW - SHCS 1/4-20 X 1 ZP	82	2	A	315600	PLAC - ENG-RACK-POWER
9	4	-	9121	SCREW - SBHCS 5/16-18 X 1/2 ZP	83	4	A	315606	DECAL - WARNING-RACK-PEDAL
10	6	-	9157	SCREW - HHCS 1/4-20 X 1 GR5 ZP	84	2	B	315611	DECAL-POSITION & LOCK-FW
11	2	-	9165	SCREW - SHCS 5/16-18 X 1/2 ZP	85	2	A	315612	DECAL-WEIGHT STORAGE
12	44	-	9200	SCREW - HHCS 3/8-16 X 3/4 ZP	86	6	A	545055	ANCHOR - CABLE PL
13	8	-	9202	SCREW - HHCS 3/8-16 X 1-1/4 ZP	87	2	B	600881	ASSY - DISPLAY BOX-5 WIN
14	4	-	9208	SCREW - HHCS 3/8-16 X 2-3/4 ZP	88	2	A	600882	ASSY - DISPLAY BOX-2 WIN
15	4	-	9228	NUT - HELN 3/8-16 ZP	89	2	A	605056	DISPLAY BOX - BACK
16	6	-	9242	NUT - HEJN 1/4-20 ZP	90	2	A	605428	GROUND CLAMP - DISPLAY
17	2	-	9254	SCREW - HHMS #10-24 X 1-1/4 ZP	91	1	A	950300	TUBE-3/8 OD CU
18	1	-	9272	SCREW - CRPHTS-TF 6 X 1/2 SS	92	1	A	954108	WIRE-22 GAUGE-STRANDED-WHT
19	6	-	9285	SCREW - CRPHTS-TF 10-24 X 3/4 ZP	93	1	A	954212	ROPE - 5mm POLYESTER/NYLON
20	12	-	9291	SCREW - CRPHTS-TAB 8 X 1/2 ZP	94	1	A	955300	STRIP - PROTECTOR-4 INCH
21	8	-	9298	SCREW - SCSHCS 10-24 X 3/4 ZP	95	1	A	962016	CON - MOD-COUPLER-6-6
22	60	-	9355	WASHER - FW-ACFT-3/8 ZP	96	2	A	995600	PLACARD - ENG-POWER
23	4	-	9389	WASHER - ITLW 5/16 ZP	97	1	A	995602	DECAL - KEISER LOGO-2" RED
24	2	A	9997	COMPRESS NUT 3/8					

25	1	A	105013	IN-LINE TEE 3/8
26	2	A	105421	RING TERMINAL - #10-14 GA
27	1	A	105443	DECAL - SERIAL NUMBER
28	24	A	115402	PLUG - HOLE-3/8 DIA
29	2	A	135050	BEARING - FLANGE-1" ID
30	1	A	295603	PLACARD - ENG-KEY
31	2	A	295604	PLAC - ENG-LOW DISP
32	12	A	305062	BUSHING - 026067029
33	8	A	305065	PULLEY - 2.500 DIA-MOLDED
34	4	A	305412	SLEEVE - ROPE
35	1	B	310800	L POWER MODULE
36	1	B	310801	R POWER MODULE
37	1	A	310807	R POWER MODULE-PWR
38	1	A	310832	BAR CATCH - L-FW
39	1	A	310833	BAR CATCH - R-FW
40	1	B	310834	SPOTTING BAR - CANT-R
41	1	B	310835	SPOTTING BAR - CANT-L
42	2	B	310843	PULLEY CARRIAGE
43	1	A	310907	WELDT - L MITER CAP-FW
44	1	A	310908	WELDT - R MITER CAP-FW
45	1	B	310917	WELDT - L BOT FRAME-FW 05 LONG
46	1	B	310918	WELDT - R BOT FRAME-FW 05 LONG
47	1	B	310919	WELDT - L PULLEY RAIL-FW 05 LONG
48	1	A	310920	WELDT - R PULLEY RAIL-FW 05 LONG
49	1	B	310921	WELDT - R POST-9
50	1	B	310922	WELDT - L POST-9
51	1	B	310927	WELDT - CROSS BRACE W DIS-FW
52	1	B	310941	WELDT - L WEIGHT STORAGE-FW
53	1	B	310942	WELDT - R WEIGHT STORAGE-FW
54	1	A	310943	BOT CROSS FRAME - FW
55	1	A	310944	WELDT - L PULLEY COVER-FW
56	1	A	310945	WELDT - R PULLEY COVER-FW
57	1	B	310960	WELDT - R POST-8
58	1	B	310961	WELDT - L POST-8
59	1	B	310965	WELDT - DISPLAY MT-UPPER-FW
60	2	B	310966	FRAME - FOOT ADJ
61	1	A	310977	PIVOT LINK - R
62	1	A	310978	PIVOT LINK - L
63	1	B	310979	BASE - DISPLAY-SWIVEL MT
64	1	B	310980	TOP - DISPLAY MT
65	2	A	310982	BAR STORAGE - FW
66	2	A	311821	PLATE - LINK
67	2	B	311852	PLATE - BAR STORAGE-FW TOP
68	2	A	312161	ROD - FOOT ADJ-SHORT PIVOT
69	1	A	312350	COLLAR - SWIVEL
70	1	B	315000	PLATE - FOOT ADJ-MINUS-FW
71	4	A	315001	HOUSING - PULLEY-BARBELL
72	2	A	315002	HOUSING - AIR ATTACH-BARBELL
73	2	A	315003	KNOB - ROPE-HOUSING
74	1	B	315004	PLATE - FOOT ADJ-PLUS-FW

- # PARTS USED IN COMMON ASSEMBLY AND 8' RACKS (MODELS: 3105PP, 3105PS, 3105XP, 3105XS)
- # PARTS USED FOR 9' RACKS (MODELS: 3106PP, 3106PS, 3106XP, 3106XS)
- # PARTS USED FOR RACKS WITH POWER DISPLAY (MODELS: 3105PP, 3105XP, 3106PP, 3106XP)

NOTE:
 (1) 3105XX/3106XX COVERS THE FOLLOWING MODELS: 3105PP, 3105PS, 3105XP, 3105XS, 3106PP, 3106PS, 3106XP, 3106XS
 (2) REFER TO MEMO IN WINMAGI FOR COLOR SPECS

3105XX/3106XX



EXPLODED VIEW PAGE 2

REV	ECO	REVISION DESCRIPTION	BY	CKD	DATE
A	2906	RFP	MAC	DLK	1/10/09

KEISER

2470 South Cherry Ave. Phone: (559) 256-8000
 Fresno, CA, USA 93706-5004 Fax: (559) 256-8100

THE INFORMATION DISCLOSED HEREIN WAS ORIGINATED BY AND IS THE PROPERTY OF KEISER CORP. AND ALL PATENT, PROPRIETARY, DESIGN, USE, SALE, MANUFACTURING, AND REPRODUCTION RIGHTS THERETO ARE RESERVED BY KEISER CORP.

DRAWN BY: MAC	DATE DRAWN: 07/09/07	CHECKED BY: DEM	DATE CHECKED: 1/7/08
MATERIAL: -			
RAW MAT: -			
TITLE: 8' HALF RACK, 9' HALF RACK			
SHEET 1 OF 5		SCALE: 1:30	DRAWING SIZE: B
PART#: 3105XX/3106XX			

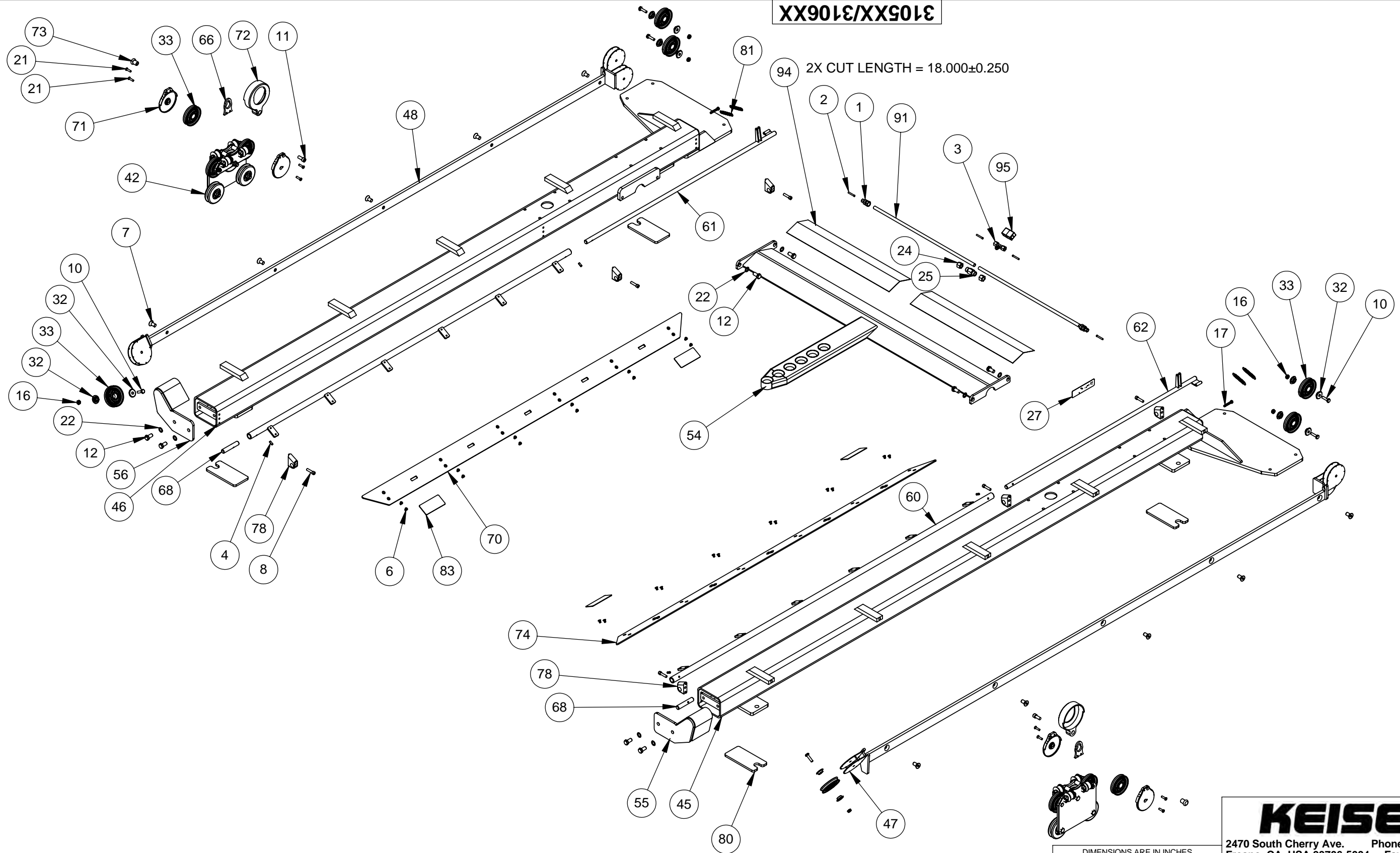
DIMENSIONS ARE IN INCHES
 DIMENSIONS IN [] ARE MILLIMETERS
 BREAK SHARP EDGES .005-.015 [.10-.40]
 MACHINED SURFACE FINISH IS
 63 MICROINCHES [1.6 MICROMETERS]
 DO NOT SCALE DRAWING

PRINTED ON: 1/12/2008 SW2001 V5

X:\drawings\REVISION\31_FREE_WEIGHTS\

3105XX/3106XX

2X CUT LENGTH = 18.000±0.250



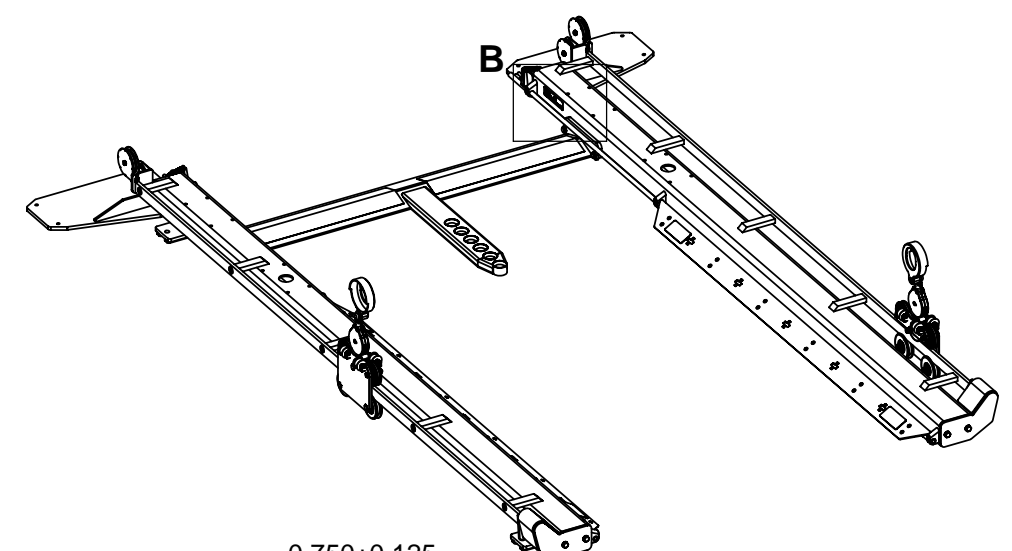
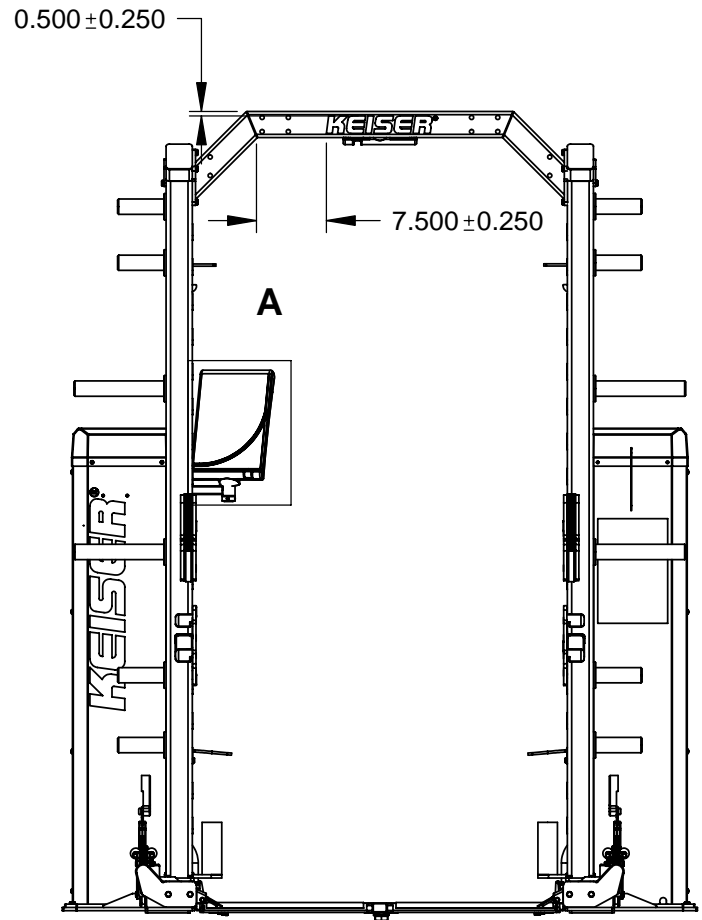
DIMENSIONS ARE IN INCHES
 DIMENSIONS IN [] ARE MILLIMETERS
 BREAK SHARP EDGES .005-.015 [.10-.40]
 MACHINED SURFACE FINISH IS
 63 MICROINCHES [1.6 MICROMETERS]
 DO NOT SCALE DRAWING

KEISER
 2470 South Cherry Ave. Phone: (559) 256-8000
 Fresno, CA, USA 93706-5004 Fax: (559) 256-8100
 THE INFORMATION DISCLOSED HEREIN WAS ORIGINATED BY
 AND IS THE PROPERTY OF KEISER CORP. AND ALL PATENT,
 PROPRIETARY, DESIGN, USE, SALE, MANUFACTURING, AND
 REPRODUCTION RIGHTS THERETO ARE RESERVED BY KEISER
 CORP.

—	—	—	—	—	—
—	—	—	—	—	—
—	—	—	—	—	—
—	—	—	—	—	—
A	2906	RFP	MAC	DLK	1/10/09
REV	ECO		BY	CKD	DATE

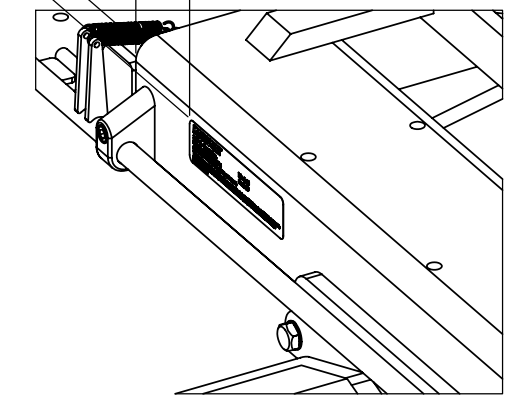
DRAWN BY: MAC	DATE DRAWN: 07/09/07	CHECKED BY: DEM	DATE CHECKED: 1/7/08
MATERIAL: -	RAW MAT: -	TITLE: 8' HALF RACK, 9' HALF RACK	
SHEET 2 OF 5	SCALE: 1:12	DRAWING SIZE: B	PART#: 3105XX/3106XX

3105XX/3106XX



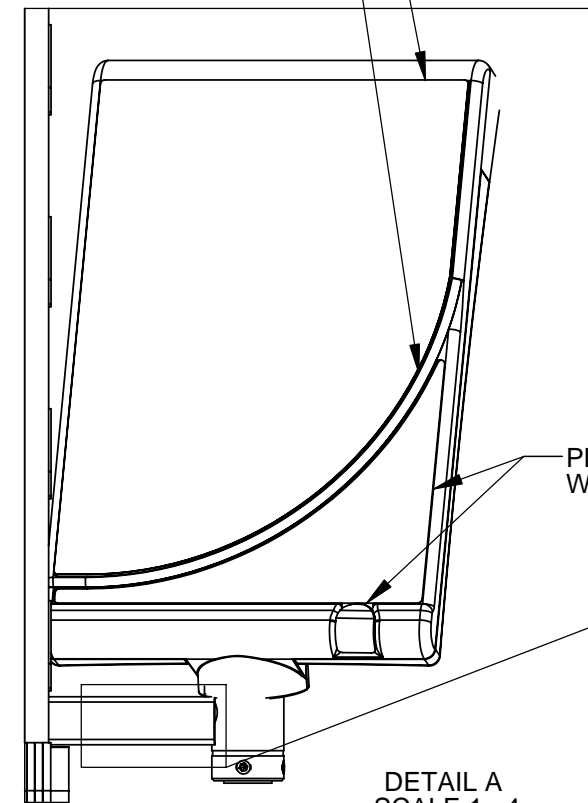
0.750 ± 0.125
MEASURE TO
TOP OF TUBE

2.250 ± 0.250



DETAIL B
SCALE 1 : 4

PLACE PLACARD TOUCHING OUTER CURVE
PLACE PLACARD TOUCHING TOP EDGE



DETAIL A
SCALE 1 : 4

ATTACH GROUND WIRE FROM INSIDE DISPLAY
TO SCREW ON LOWER SIDE OF TUBE AS SHOWN



CUT LENGTH = 23.000 ± 0.250 (92)

PLACE PLACARD PARALLEL
WITH EDGES

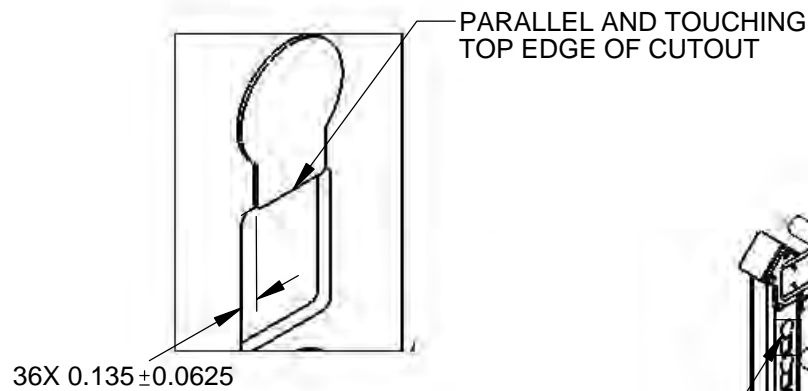
DIMENSIONS ARE IN INCHES
DIMENSIONS IN [] ARE MILLIMETERS
BREAK SHARP EDGES .005-.015 [.10-.40]
MACHINED SURFACE FINISH IS
63 MICROINCHES [1.6 MICROMETERS]
DO NOT SCALE DRAWING

KEISER
2470 South Cherry Ave. Phone: (559) 256-8000
Fresno, CA, USA 93706-5004 Fax: (559) 256-8100
THE INFORMATION DISCLOSED HEREIN WAS ORIGINATED BY
AND IS THE PROPERTY OF KEISER CORP. AND ALL PATENT,
PROPRIETARY, DESIGN, USE, SALE, MANUFACTURING, AND
REPRODUCTION RIGHTS THERETO ARE RESERVED BY KEISER
CORP.

---	---	---	---	---	---	---
---	---	---	---	---	---	---
---	---	---	---	---	---	---
A	2906	RFP	MAC	DLK	1/10/09	
REV	ECO					REVISION DESCRIPTION

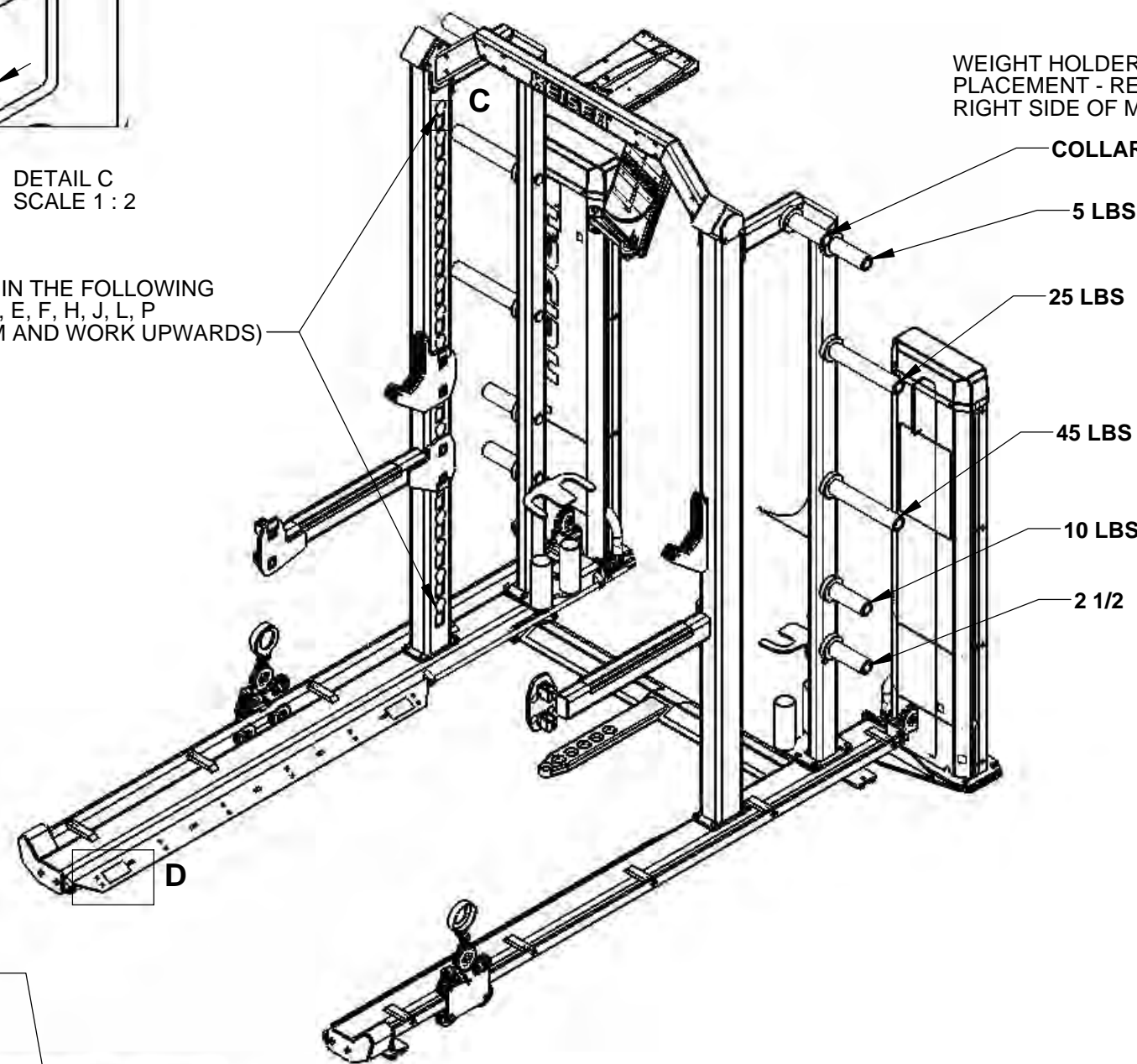
DRAWN BY: MAC	DATE DRAWN: 07/09/07	CHECKED BY: DEM	DATE CHECKED: 1/7/08
MATERIAL: -	RAW MAT: -		
TITLE: 8' HALF RACK, 9' HALF RACK			
SHEET 3 OF 5	SCALE: 1:22	DRAWING SIZE: B	PART#: 3105XX/3106XX

3105XX/3106XX

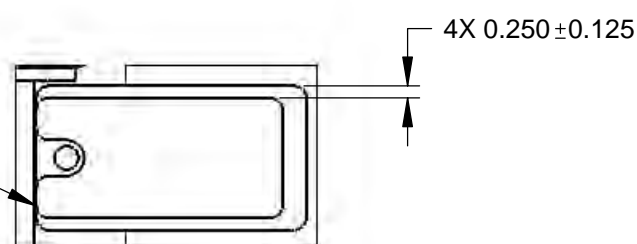


DETAIL C
SCALE 1 : 2

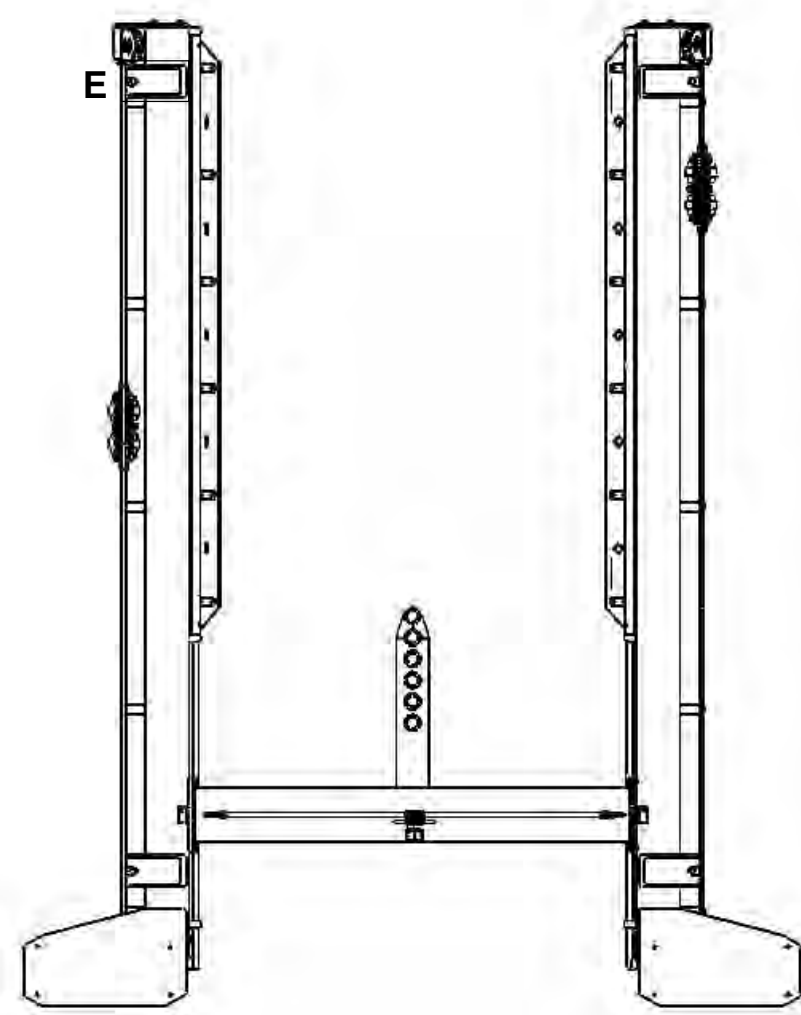
POSITION DECALS IN THE FOLLOWING ORDER: 1-9, 0, A, C, E, F, H, J, L, P (BEGIN AT BOTTOM AND WORK UPWARDS)



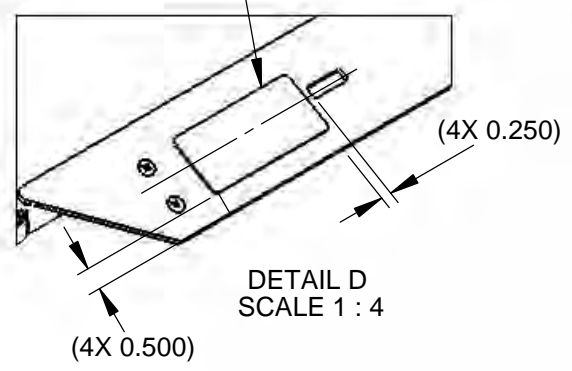
WEIGHT HOLDER DECAL PLACEMENT - REPEAT ON RIGHT SIDE OF MACHINE



DETAIL E
SCALE 1 : 4



4X LOCATED DECALS AS SHOWN



DETAIL D
SCALE 1 : 4

DIMENSIONS ARE IN INCHES
DIMENSIONS IN [] ARE MILLIMETERS
BREAK SHARP EDGES .005-.015 [.10-.40]
MACHINED SURFACE FINISH IS
63 MICROINCHES [1.6 MICROMETERS]
DO NOT SCALE DRAWING

KEISER
2470 South Cherry Ave. Phone: (559) 256-8000
Fresno, CA, USA 93706-5004 Fax: (559) 256-8100
THE INFORMATION DISCLOSED HEREIN WAS ORIGINATED BY AND IS THE PROPERTY OF KEISER CORP. AND ALL PATENT, PROPRIETARY, DESIGN, USE, SALE, MANUFACTURING, AND REPRODUCTION RIGHTS THERETO ARE RESERVED BY KEISER CORP.

-	-	-	-	-	///
-	-	-	-	-	///
-	-	-	-	-	///
-	-	-	-	-	///
A	2906	RFP	MAC	DLK	1/10/09
REV	ECO		BY	CKD	DATE

DRAWN BY: MAC	DATE DRAWN: 07/09/07	CHECKED BY: DEM	DATE CHECKED: 1/7/08
MATERIAL: -	RAW MAT: -	TITLE: 8' HALF RACK, 9' HALF RACK	
SHEET 4 OF 5	SCALE: 1:18	DRAWING SIZE: B	PART#: 3105XX/3106XX

93 ROPE - 5mm POLYESTER/NYLON

SINGLE MODULE CUT LENGTH = 516.000 ± 6.000 (43.0 FT ± 0.5 FT)

ROPING INSTRUCTIONS:

1. REFER TO DETAIL VIEWS F AND G AND ROUTE ROPE THROUGH PULLEYS. MATCH LETTERS, A TO A, B TO B, ETC... FOR CORRECT ROUTING FROM VIEW TO VIEW.

2. INSTALL FIRST CRIMP AS SPECIFIED IN DETAIL G. CUT OFF EXCESS ROPE, AND BURN THE END TO KEEP IT FROM FRAYING (SEE THE PICTURE FOR DETAIL).

3. PRESSURIZE CYLINDER TO 20 PSI.

4. INSTALL 2ND CRIMP SO THAT THERE IS A 3/4" GAP BETWEEN THE LOWER BRACKET AND THE PULLEY CABLE GUIDE WASHER (SEE SKETCH FAR RIGHT) THEN CRIMP, CUT, AND BURN THE FREE END. (SEE THE PICTURE FOR DETAIL)

5. REPEAT FOR ADJACENT MODULE.

START ROPE THROUGH CENTER HOLE AS SHOWN

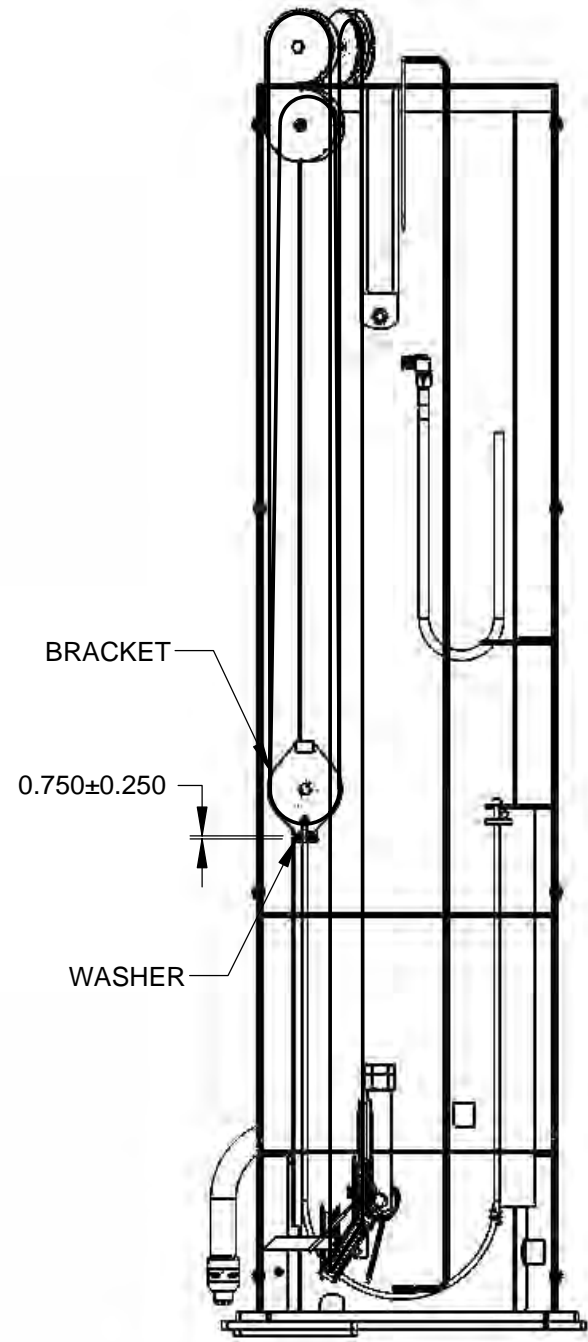
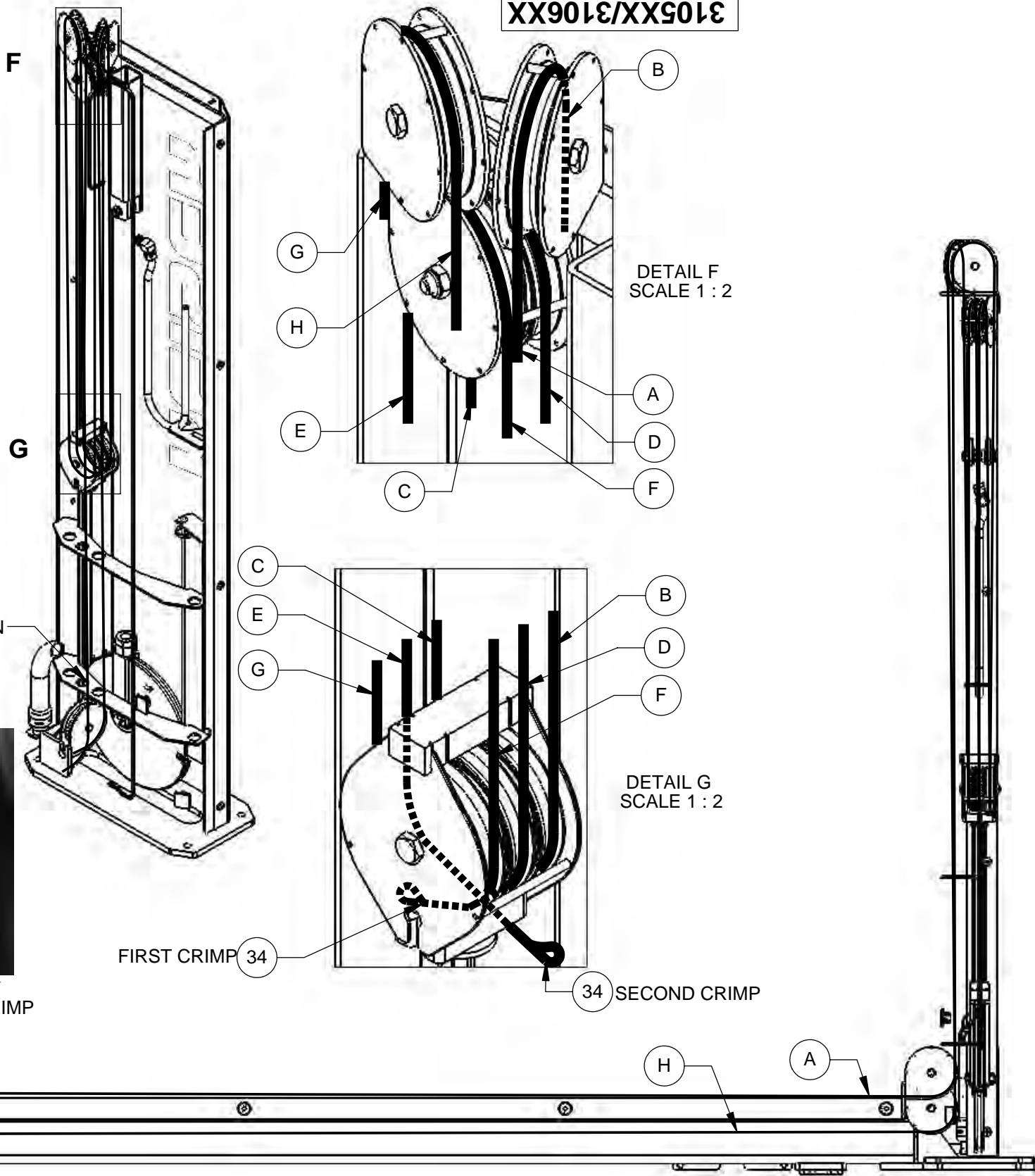
CUT AND BURN FREE END



LEFT SIDE OF PULLEY CARRIAGE FIRST CRIMP



RIGHT SIDE OF PULLEY CARRIAGE SECOND CRIMP



KEISER
 2470 South Cherry Ave. Phone: (559) 256-8000
 Fresno, CA, USA 93706-5004 Fax: (559) 256-8100
 THE INFORMATION DISCLOSED HEREIN WAS ORIGINATED BY AND IS THE PROPERTY OF KEISER CORP. AND ALL PATENT, PROPRIETARY, DESIGN, USE, SALE, MANUFACTURING, AND REPRODUCTION RIGHTS THERETO ARE RESERVED BY KEISER CORP.

---	---	---	---	---	---
---	---	---	---	---	---
---	---	---	---	---	---
A	2906	RFP	MAC	DLK	1/10/09
REV	ECO		BY	CKD	DATE

DIMENSIONS ARE IN INCHES DIMENSIONS IN [] ARE MILLIMETERS BREAK SHARP EDGES .005-.015 (.10-.40) MACHINED SURFACE FINISH IS 63 MICROINCHES [1.6 MICROMETERS] DO NOT SCALE DRAWING					
DRAWN BY:	MAC	DATE DRAWN:	07/09/07	CHECKED BY:	DEM
MATERIAL:	-	DATE CHECKED:	1/7/08		
RAW MAT:	-				
TITLE: 8' HALF RACK, 9' HALF RACK					
SHEET	5 OF 5	SCALE:	1:8	DRAWING SIZE:	B
		PART#:	3105XX/3106XX		

PRINTED ON: 1/12/2008 SW2001 V5

X:\drawings\REVISION\31_FREE_WEIGHTS\