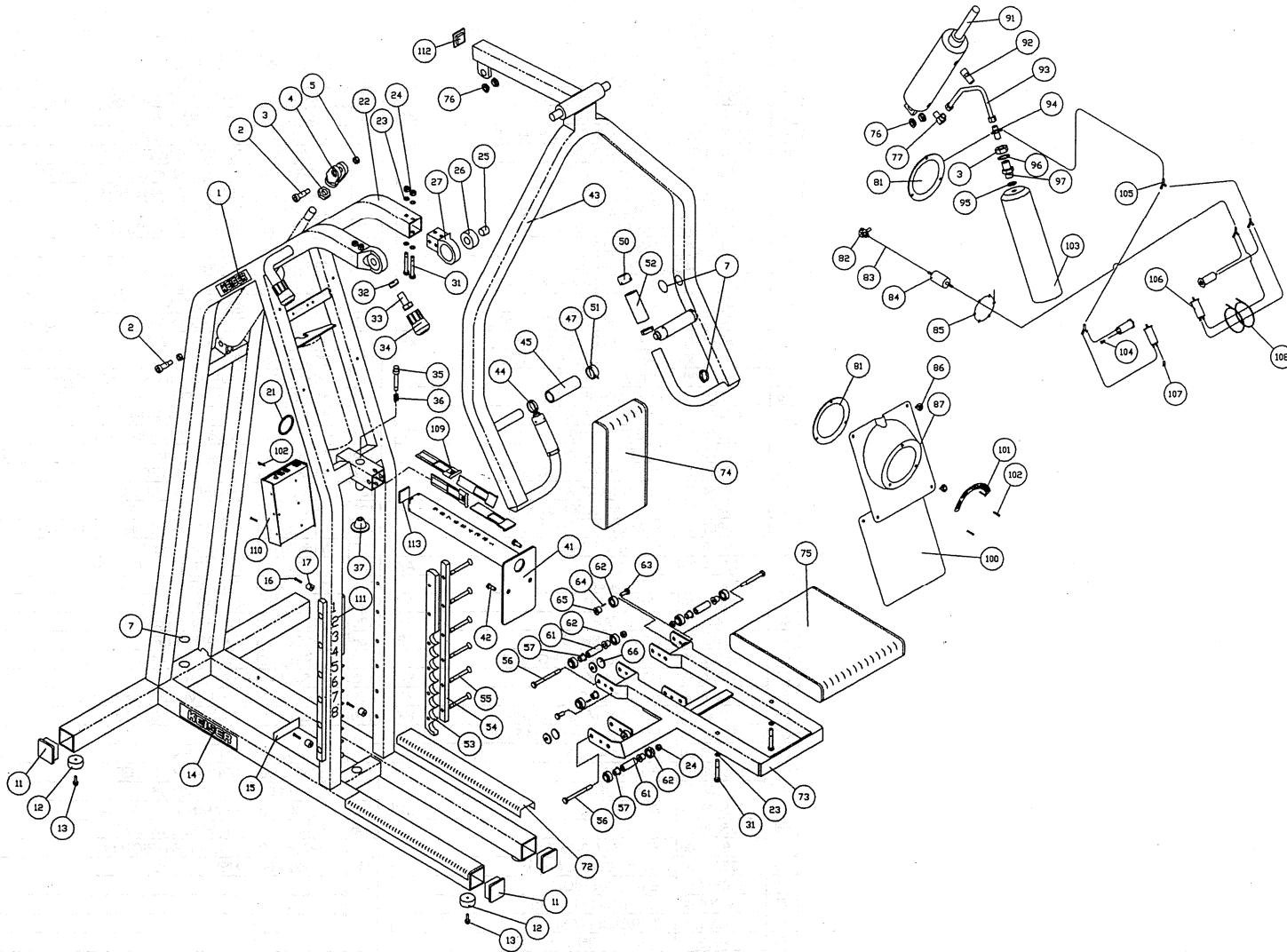


2021 UPPER BACK



Air 250 Upper Back

ITEM	PART #	DESCRIPTION	ITEM	PART #	DESCRIPTION
1	115371.00	SMALL "KEISER" DECAL	74	200827.00	ARM CUSHION
2	9127.00	SHSB 1/2 x 1 ZP	75	130856.00	BOTTOM CUSHION
3	9231.00	HX JAM NUT 3/4 - 10 ZP	76	115051.80	FLANGE BEARING .5 I.D.
4	115005.00	CLEVIS - 2.5	77	8153.00	MALE ELBOW 3/8 x 1/4
5	9227.00	HX REV LCK NUT 3/8-16 ZP	81	A600803.60	DIGITAL GAGE ASSY
7	115404.00	HOLE PLUG 1.0		B200802.60	100 PSI ANALOG GAGE ASSY
11	115054.00	PLASTIC CAP 2" SQUARE	82	110897.00	90 DEG. BARBED Q.D.
12	105423.00	BUMPER MOLDED GLIDE	83	953108.00	TUBING 1/4 BLK URETHANE
13	9279.00	HWH TFTDC 5/16-18 x 3/4 ZP	84	115323.00	IN - LINE FILTER
14	115372.00	LARGE "KEISER" DECAL	85	115429.00	PLASTIC TIE 10" RED
15	105443.00	DECAL "SERIAL #"	86	265404.00	PLASTIC RIVET
16	9285.00	PHSTS PH #10-24 x 3/4 ZP	87	205401.00	GAGE PANEL
17	135076.00	PLASTIC BUMPER	91	135316.00	CYLINDER 2.5 x 12
21	175502.00	SPRING RING ST. STL.	92	115318.00	EXHAUST MUFFLER
22	200911.32	MAIN FRAME WT	93	953101.00	TUBING - 3/8 BLK POLYETHYL
23	9353.00	ACFT WSHR 5/16 ZP	94	110833.00	3/8 BARBED ELBOW
24	9226.00	HX ELAS LCK NUT 5/16-18 ZP	95	115333.00	ORING .737 x .943 x .103 70 DURO
25	115067.00	1 x 3/4 VINYL CAP BK	96	9364.00	INT TTH LCK WSHR 3/4 ZP
26	115394.00	SPHERICAL BEARING 3/4 I.D.	97	115000.00	TANK BUSHING
27	135407.00	BEARING HOUSING	100	205416.20	INSTRUCTIONAL PLACARD
31	9179.00	HHCS 5/16-18 x 2-1/4 ZP	101	125303.00	FLANGE DECAL
32	9233.00	HX JAM NUT 5/8-18 NF ZP	102	9272.00	PHSTS TF PHLPS #6 x 1/2 BK
33	9250.00	HHCS 5/8 x 1-1/4 ZP	103	255318.33	TANK - 145 CU. IN. BK
34	135422.00	RUBBER CRUTCH TIP # 20	104	115312.00	1/4 x 1/8 TUBE
35	172180.00	PLUNGER	105	265310.00	PLASTIC Y
36	175500.00	SPRING - PLUNGER	106	110830.00	THUMB BUTTON VALVE
37	175420.00	BLACK KNOB	107	135057.00	BLACK FLOW RESTRICTOR
38	175011.00	2" SQ. BUSHING	108	115423.00	PLASTIC TIE 8" BK
39	9277.00	PHSTS PHLPS #4-40 x 1/4 ZP	109	505053.80	PLASTIC BUSHINGS
41	200912.31	CHEST SUPPORT CR	110	105443.00	PROCESSOR BOX
42	9176.00	HHCS 5/16-18 x 1 ZP	111	135306.00	SEAT STRIP DECAL # 1-10
43	200909.32	EXERCISE ARM WT	112	135056.00	PLASTIC CAP - 1.5 SQ.
44	115022.00	GRIP COLLAR AZ	113	135061.00	GLIDE INSERT - 1.5 SQ. 14-18
45	205404.00	GRIP SLEEVE			
47	115439.70	SEAT RACK AZ			
50	115438.70	SEAT RAIL AZ			
51	9016.00	SOCKET SCR 8-32 x 1/4			
52	115433.00	GRIP SLEEVE			
53	135005.31	SEAT RACK AZ			
54	135006.31	SEAT RAIL AZ			
55	9079.00	FHSCS 5/16-18 x 2-1/2			
56	9183.00	HHCS 5/16-18 x 3-1/2 ZP			
57	132200.00	AXLE			
61	132181.00	ROLLER TUBE			
62	135060.00	ROLLER			
63	9174.00	HHCS 5/16-18 x 1/2 ZP			
64	9009.00	SPRING PIN 1/16 x 1/2			
65	132201.00	THREADED AXLE			
66	135055.00	STEM BUMPER			
72	955300.00	4" PROTECTOR STRIP			
73	200920.33	SEAT BK			