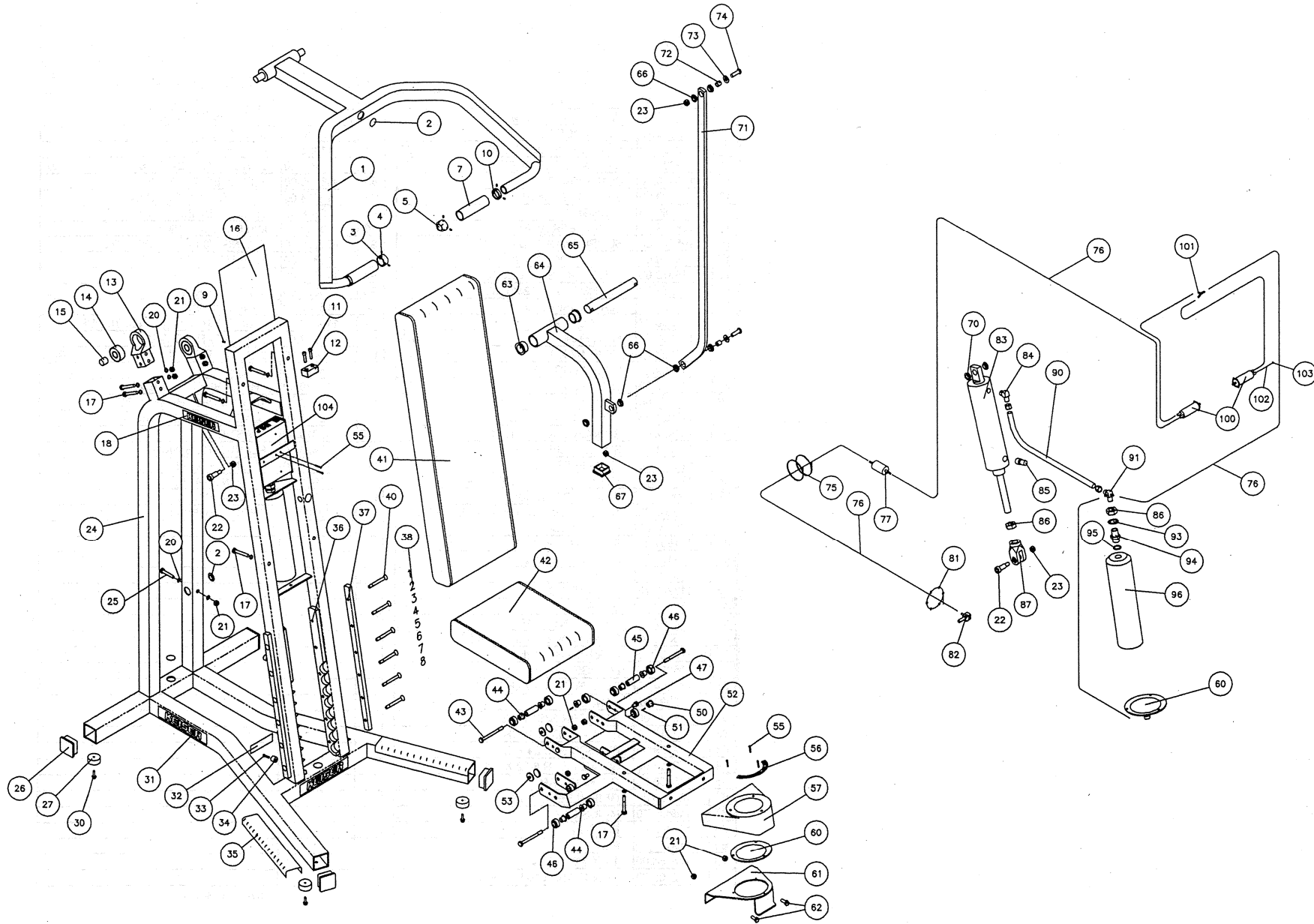


1621 MILITARY PRESS



Air 250 Military Press

ITEM	PART #	DESCRIPTION	ITEM	PART #	DESCRIPTION
1	160927.32	EXERCISE ARM WT	62	9176.00	HHCS 5/16-18 x 1 ZP
2	115404.00	HOLE PLUG 1.0	63	135050.80	FLANGE BEARING 1" ID
3	115438.70	PLUS CAP	64	160924.33	LEVER ARM BK
4	9014.00	SOCKET SCR 8-32 x 1/8	65	162247.73	LEVER ARM PIVOT SHAFT
5	115439.70	MINUS CAP	66	115051.80	FLANGE BEARING .5 ID
7	115433.00	GRIP SLEEVE 3.75	67	135056.00	PLASTIC CAP 1.5" SQUARE
9	265404.00	PLASTIC RIVET	71	161883.33	DRAG LINK BK
10	115030.00	GRIP COLLAR AZ	72	113040.00	SHOULDER SLEEVE 1/2 x 1/2
11	9108.00	SHCS 1/4-20 x 1 ZP	73	115450.00	BHHCS WASHER NP
12	165421.00	URETHANE EXERCISE ARM STOP	74	115451.00	BHHCS 3/8-16 x 1-1/4 NP
13	135407.00	BEARING HOUSING	75	115430.00	PLASTIC TIE - 3 INCH BK
14	115394.00	SPHERICAL BEARING 3/4 ID	76	953108.00	TUBING - 1/4 BLK URETHANE
15	115067.00	1 x 3/4 VINYL CAP BK	77	115323.00	IN-LINE FILTER
16	165416.20	INSTRUCTIONAL PLACARD	81	115429.00	PLASTIC TIE - 10 INCH RED
17	9179.00	HHCS 5/16-18 x 2-1/4 ZP	82	110897.00	90 DEG BARBED Q.D.
18	115371.00	DECAL - KEISER, SM	83	135316.00	CYLINDER - 2.5 x 1/2
20	9353.00	ACFT WSHR 5/16 ZP	84	8153.00	MALE ELBOW 3/8 x 1/4
21	9226.00	HELN 5/16-18 ZP	85	115318.00	EXHAUST MUFFLER 3/8
22	9127.00	SHSB 1/2 x 1 ZP	86	9231.00	HX JAM NUT 3/4-10 ZP
23	9227.00	HX REV LCK NUT 3/8-16 ZP	87	115005.00	CLEVIS - 2.5
24	160928.32	MAIN FRAME WT	90	953101.00	TUBING - 3/8 BLK POLYETHYL
25	9177.00	HHCS 5/16-18 x 1-3/4 ZP	91	110833.00	3/8 BARBED ELBOW
26	115054.00	PLASTIC CAP 2" SQUARE	93	9364.00	INT TTH LCK WSHR 3/4 ZP
27	105423.00	BUMPER - MOLDED GLIDE	94	115000.00	TANK BUSHING
30	9279.00	HWH TFTDC 5/16-18 x 3/4 ZP	95	115333.00	ORING .737 x .943 x .103 70 DUR
31	115372.00	LARGE "KEISER" DECAL	96	25318.33	TANK 145 CU. IN. BK
32	105443.00	DECAL "SERIAL #"	100	110830.00	THUMB BUTTON VALVE
33	9285.00	PHSTS PH # 10-24 x 3/4 T/F ZP	101	265310.00	PLASTIC Y
34	135076.00	PLASTIC BUMPER	102	115312.00	1/4 x 1/8 URETHANE TUBE
35	955300.00	4" PROTECTOR STRIP	103	135057.00	BLACK FLOW RESTRICTOR
36	135005.31	SEAT RACK AZ	104	600801.00	PROCESSOR BOX
37	135006.31	SEAT RAIL AZ			
38	135306.00	LG SEAT STRIP DECAL # 1-10			
40	9079.00	FHSCS 5/16-18 x 2-1/2			
41	130857.00	BACK CUSHION			
42	130856.00	BOTTOM CUSHION			
43	9183.00	HHCS 5/16-18 x 3-1/2 ZP			
44	132200.00	AXLE			
45	132181.00	ROLLER TUBE			
46	135060.00	ROLLER TUBE			
47	9174.00	HHCS 5/16-18 x 1/2			
50	132201.00	THREADED AXLE			
51	9009.00	SPRING PIN 1/16 x 1/2			
52	130920.33	SEAT AIR 250 BK			
53	135055.00	STEM BUMPER			
55	9272.00	PHSTS TF PHLPS # 6 x 1/2 BK			
56	135305.00	ELBOW DECAL			
57	135405.00	FLANGED GAGE BOX			
60	A600803.60	DIGITAL GAGE ASSY			
	B160810.60	100 PSI ANALOG GAGE ASSY			
61	130921.33	HANDLE BRACKET BK			