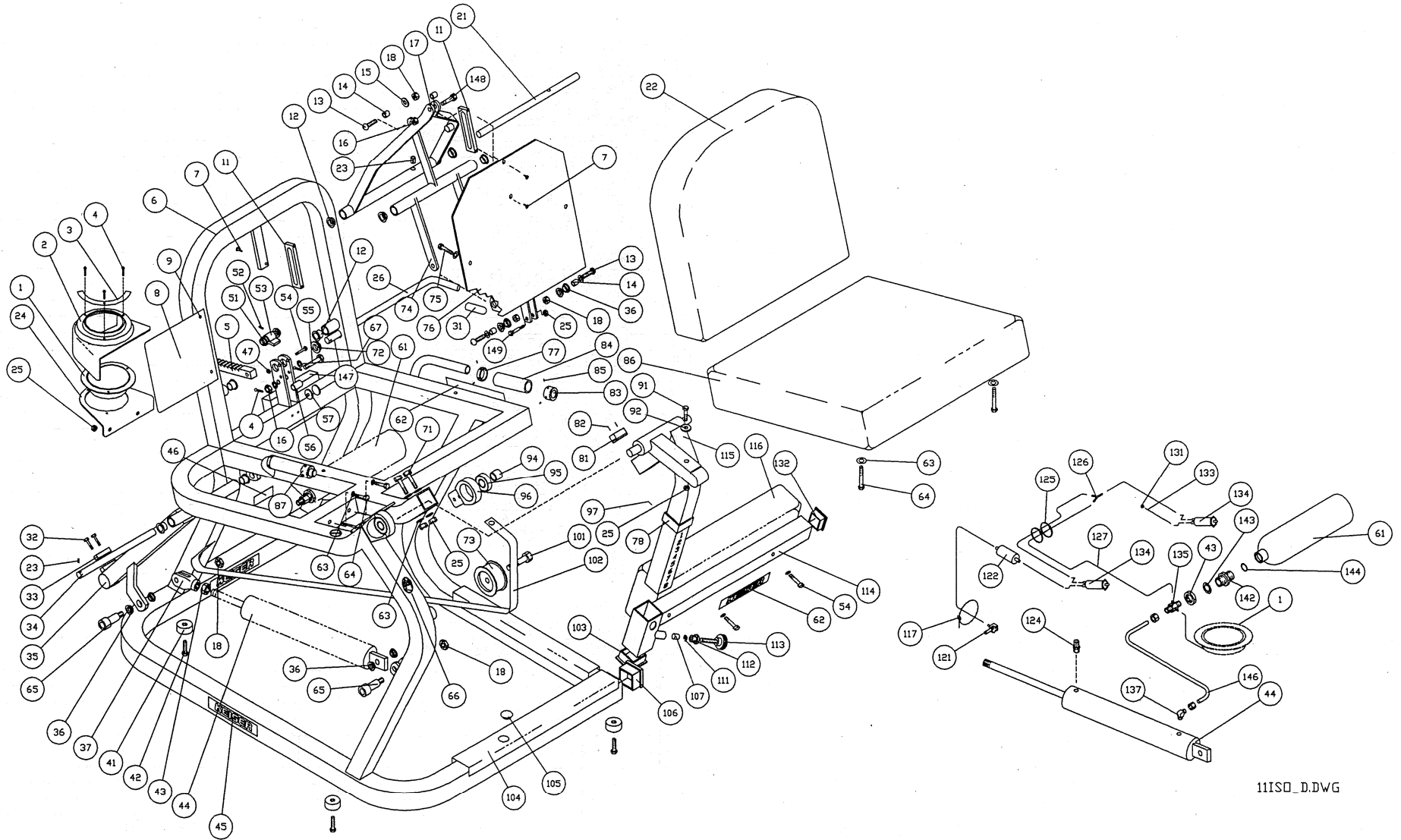


1121 LEG EXTENSION



Air 250 Leg Extension

ITEM	PART #	DESCRIPTION		ITEM	PART #	DESCRIPTION
1	600803.00	DIGITAL GAUGE		71	9179.00	HHCS 5/16-18 x 2-1/4 ZP
2	115411.00	FLANGED GAGE BOX AIR 250		72	115424.00	SNAP-IN NYLINER
3	115307.00	KNEE DECAL		73	265419.00	BELT PULLEY ASSY
4	9272.00	PHSTS TF PHLPS # 6 x 1 1/2 BKK		74	110919.23	SEAT- FRONT PIVOT ASSY
5	115010.00	RACK - MACHINED		75	9176.00	HHCS 5/16-18x1 ZP
6	110918.32	MAIN FRAME WHT		76	110912.23	SEAT BACK ASSY
7	9288.00	FHSTS PH#10-24 x 1 T/F ZP		77	115022.00	GRIP COLLAR
8	115416.20	INSTRUCTIONAL PLACARD		78	114212.33	COLLAR
9	265404.00	PLASTIC RIVET		81	165421.00	URETHANE EX ARM STOP
11	115072.00	GUIDE / BEARING		82	9285.00	PHSTS PH#10-24 x 3/4 ZP
12	115052.80	FLANGE BEARING .63 I.D.		83	115438.70	PLUS CAP
13	115451.00	BHHSCS 3/8-16 x 1-1/4 NP		84	115433.00	GRIP SLEEVE
14	113040.00	SHOULDER SLEEVE 1/2 x 1/2		85	9016.00	SOCKET SCR 8-32 x 1/8
15	115450.00	BHHSCS WASHER NP		86	110851.00	SEAT BOTTOM CUSHION
16	9228.00	HX ELAS LCK NUT 3/8-16 ZP		87	115439.70	MINUS CAP
17	110909.23	SEAT BACK PIVOT ASSY		91	9101.00	SHCS 5/16-18 x 1 ZP
18	9227.00	HX REV LCK NUT 3/8-16 ZP		92	112242.73	CLAMP DISC
21	112182.73	SEAT BACK PIVOT SHAFT		94	115067.00	1 x 3/4 VINYL CAP BLK
22	110852.00	SEAT BACK CUSHION		95	115394.00	SPHERICAL BEARING
23	9001.00	SPRING PIN 3/16 x 1/2 ZP		96	135407.00	BEARING HOUSING
24	111806.33	GAGE BRKT AIR 250 BLK		97	9285.00	PHSTS PH#10-24 x 3/4 ZP
25	9226.00	HX ELAS LCK NUT 5/16-18 ZP		101	9155.00	HHCS 1/2-20 x 2 ZP
26	112181.31	PAWL HANDLE		102	115412.00	BELT A250 62 IN
31	115427.00	GRIP 1/2 x 2-1/2		103	115059.00	PLASTIC CAP 1-3/4 SQ.
32	9151.00	HHCS 1/4-20 x 3/4 ZP		104	955300.00	4" PROTECTOR STRIP
33	111896.33	CLAMP W/HOLE BLK		105	115404.00	HOLE PLUG 1.0
34	112183.31	PIVOT SHAFT CRM		106	115054.00	PLASTIC CAP 2" SQ.
35	110924.23	LEVER ARM ASSY		107	112162.00	SPACER
36	115051.80	FLANGE BEARING .5 I.D.		111	115417.00	E-RING
37	115005.00	CLEVIS 2.5		112	112244.00	THREADED NUT
41	105423.00	BUMPER-MOLDED GLIDE		113	110804.00	LONG KNOB ASSY
42	9279.00	HWH TFTDC 5/16-18 x3/4 ZP		114	110925.22	LEG UPHL MOUNT ASSY
43	9231.00	HX JAM NUT 3/4-10 ZP		115	110926.23	EXERCISE ARM ASSY
44	135316.00	CYLINDER - 2.5 x 12		116	110860.00	LEG SUPPORT CUSHION
45	115372.00	LARGE "KEISER" DECAL LG		117	115429.00	PLASTIC TIE - 10 INCH RED
46	105443.00	DECAL-SERIAL #		121	110897.00	90 DEG BARBED Q.D.
47	9225.00	HX ELAS LCK NUT 1/4-20 ZP		122	115323.00	IN-LINE FILTER
51	115056.00	FLANGE BRG .63 I.D. SHORT		124	115318.00	EXHAUST MUFFLER 3/8
52	9003.00	SPRING PIN 1/4 x1/2 ZP		125	115430.00	PLASTIC TIE - 3 INCH BLK
53	110916.33	PAWL		126	265310.00	PLASTIC Y
54	9152.00	HHCS 1/4-20 x 2 ZP		127	953108.00	TUBING - 1/4 BLACK URETHANE
55	9206.00	HHCS 3/8-16 x 2-1/4 ZP		131	135057.00	BLACK FLOW RESTRICTOR
56	115314.00	SLEEVE		132	135056.00	PLASTIC CAP 1.5" SQUARE
57	135055.00	STEM BUMPER		133	115312.00	1/4 x 1/8 URETHANE TUBE
61	255318.33	TANK 145 CU. IN. BLK		134	110830.00	THUMB BUTTON VALVE
62	115371.00	SMALL "KEISER" DECAL		135	110832.00	3/8 BARBED STRAIGHT
63	9353.00	ACFT WSHR 5/16 ZP		137	8153.00	MALE ELBOW 3/8 x 1/4
64	9180.00	HHCS 5/16-18 x 2-1/2 ZP		142	115000.00	TANK BUSHING
65	9127.00	SHSB 1/2 x 1 ZP		143	9364.00	INT TTH LCK WSHR 3/4 ZP
66	115301.00	FINGER WARNING DECAL		144	115333.00	ORING .737 x .943 x .103 70 DUR
67	9355.00	ACFT WSHR 3/8 ZP		146	953101.00	TUBING-3/8 BLK POLYETHYL

