

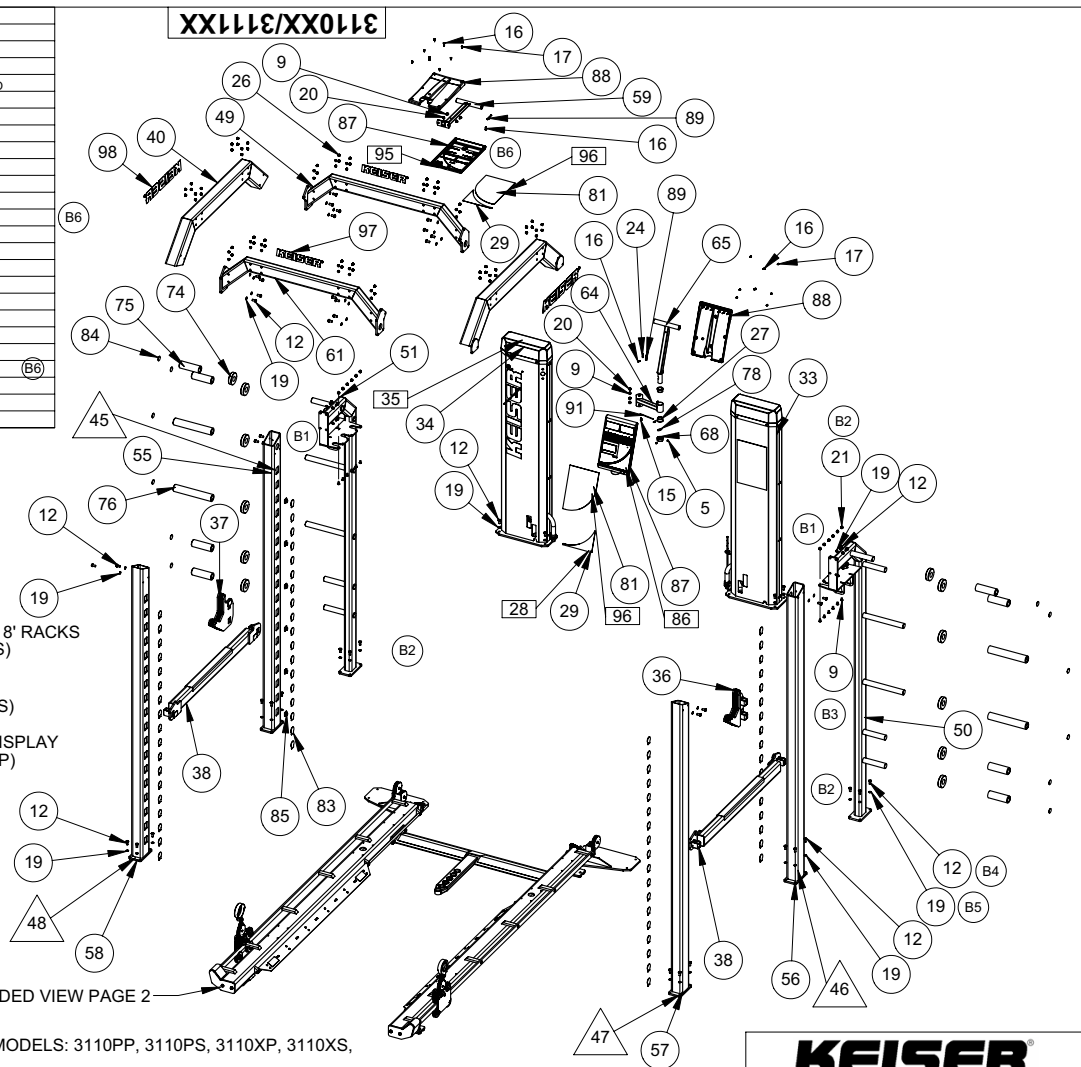
ITEM NO.	QTY.	DS	PART NO.	TITLE	ITEM NO.	QTY.	DS	PART NO.	TITLE
1	2	-	8025	UNION 3/8C X 1/4C	75	8	A	315053	SLEEVE - WT STORAGE-10LB
2	4	A	8053	TUBE - INSERT-1/8	76	4	A	315055	SLEEVE - WT STOK-GE-45LB
3	1	A	8225	TEE - 1/4C X 1/4C X 1/8M	77	6	A	315069	HOLDER - PEDAL
4	4	-	9001	PIN SPRING - 3/16 X 1/2	78	1	A	315310	ORING - 875 JD.X .125 CS-70 DURO
5	2	-	9026	SCREW - HSS 5/16-18 X 1/4 ZP	79	4	A	315402	PAD - FOOT-FW
6	24	-	9056	SCREW - CRFHMS #10-32 X 5/16 SS	80	4	A	315413	SPRING - EXT-FOOT PEDAL
7	12	-	9078	SCREW - SCSHCS 3/8-16 X 3/4 ZP	81	2	A	315600	PLAC - ENG-RACK-POWER
8	6	-	9108	SCREW - SHCS 1/4-20 X 1 ZP	82	4	A	315606	DECAL - WARNING-RACK-PEDAL
9	16	-	9121	SCREW - SBHCS 5/16-18 X 1/2 ZP (B3)	83	4	B	315611	DECAL-POSITION & LOCK-FW
10	6	-	9157	SCREW - HHCS 1/4-20 X 1 GR5 ZP	84	1	A	315612	DECAL-WEIGHT STORAGE
11	2	-	9165	SCREW - SHCS 5/16-18 X 1/2 ZP	85	6	A	545055	ANCHOR - CABLE PL
12	72	-	9200	SCREW - HHCS 3/8-16 X 3/4 ZP (B4) (B2)	86	1	B	600881	DISPLAY BOX - 5 WIN
13	6	-	9242	NUT - HEJN 1/4-20 ZP	87	2	A	600882	DISPLAY BOX - 2 WIN
14	2	-	9254	SCREW - HHMS #10-24 X 1-1/4 ZP	88	2	A	605056	DISPLAY BOX - BACK
15	1	-	9272	SCREW - CRPHTS-TF 6 X 1/2 SS	89	2	A	605428	GROUND CLAMP - DISPLAY
16	6	-	9285	SCREW - CRPHTS-TF 10-24 X 3/4 ZP	90	1	A	950300	TUBE-3/8 OD CU
17	12	-	9291	SCREW - CRPHTS-TAB 8 X 1/2 ZP	91	1	A	954108	WIRE-22 GAUGE-STRANDED-WHT
18	8	-	9298	SCREW - SCSHCS 10-24 X 3/4 ZP	92	1	A	954212	ROPE - 5mm POLYESTER/NYLON
19	72	-	9355	WASHER - FW-ACFT-3/8 ZP (B5)	93	1	A	955300	STRIP - PROTECTOR-4 INCH
20	4	-	9389	WASHER - ITLW 5/16 ZP	94	1	A	962016	CON - MOD-COUPLER-6-6
21	12	-	9394	NUT - HAN 5/16-18 (B2)	95	1	B	990828	DISPLAY BOX - TOP
22	2	A	9997	COMPRESS NUT 3/8	96	2	A	995600	PLACARD - ENG-POWER
23	1	A	105013	IN-LINE TEE 3/8	97	2	A	995602	DECAL - KEISER LOGO-2" RED
24	2	A	105421	RING TERMINAL - #10-14 GA	98	2	A	995603	DECAL - KEISER LOGO-3" RED
25	1	A	105443	DECAL - SERIAL NUMBER					
26	80	A	115402	PLUG - HOLE-3/8 DIA					
27	2	A	135050	BEARING - FLANGE-1" ID					
28	1	A	295603	PLACARD - ENG-KEY					
29	2	A	295604	PLAC - ENG-LOW DISP					
30	12	A	305062	BUSHING - 026067029					
31	8	A	305065	PULLEY - 2.500 DIA-MOLDED					
32	4	A	305412	SLEEVE - ROPE					
33	1	B	310800	L POWER MODULE					
34	1	B	310801	R POWER MODULE					
35	1	A	310807	R POWER MODULE-PWR					
36	1	A	310832	BAR CATCH - L-FW					
37	1	A	310833	BAR CATCH - R-FW					
38	2	A	310841	SPOTTING BAR - STD-FW					
39	2	B	310843	PULLEY CARRIAGE					
40	2	B	310909	WELDT - TOP FRAME-FW 10					
41	1	A	310913	WELDT - LH PULLEY RAIL-FW 10					
42	1	A	310914	WELDT - RH PULLEY RAIL-FW 10					
43	1	B	310915	WELDT - L BOT FRAME-FW 10					
44	1	B	310916	WELDT - R BOT FRAME-FW 10					
45	1	B	310921	WELDT - R POST-9					
46	1	B	310922	WELDT - L POST-9					
47	1	B	310923	WELDT - L FRONT POST-910					
48	1	B	310924	WELDT - R FRONT POST-910					
49	1	B	310927	WELDT - CROSS BRACE W DIS-FW					
50	1	B	310941	WELDT - L WEIGHT STORAGE-FW					
51	1	B	310942	WELDT - R WEIGHT STORAGE-FW					
52	1	A	310943	BOT CROSS FRAME - FW					
53	1	A	310944	WELDT - L PULLEY COVER-FW					
54	1	A	310945	WELDT - R PULLEY COVER-FW					
55	1	B	310960	WELDT - R POST-8					
56	1	B	310961	WELDT - L POST-8					
57	1	B	310962	WELDT - L FRONT POST-810					
58	1	B	310963	WELDT - R FRONT POST-810					
59	1	B	310965	WELDT - DISPLAY MT-UPPER-FW					
60	2	B	310966	FRAME - FOOT ADJ					
61	1	B	310968	WELDT - CROSS BRACE-FW					
62	1	A	310977	PIVOT LINK - R					
63	1	A	310978	PIVOT LINK - L					
64	1	B	310979	BASE - DISPLAY-SWIVEL MT					
65	1	B	310980	TOP - DISPLAY MT					
66	2	A	311821	PLATE - LINK					
67	2	A	312161	ROD - FOOT ADJ-SHORT PIVOT					
68	1	A	312350	COLLAR - SWIVEL					
69	1	B	315000	PLATE - FOOT ADJ-MINUS-FW					
70	4	A	315001	HOUSING - PULLEY-BARBELL					
71	2	A	315002	HOUSING - AIR ATTACH-BARBELL					
72	2	A	315003	KNOB - ROPE-HOUSING					
73	1	B	315004	PLATE - FOOT ADJ-PLUS-FW					
74	12	A	315050	COLLAR - WT STORAGE-FW					

- # PARTS USED IN COMMON ASSEMBLY AND 8' RACKS (MODELS: 3110PP, 3110PS, 3110XP, 3110XS)
- # PARTS USED FOR 9' RACKS (MODELS: 3111PP, 3111PS, 3111XP, 3111XS)
- # PARTS USED FOR RACKS WITH POWER DISPLAY (MODELS: 3110PP, 3110XP, 3111PP, 3111XP)

NOTE:

- (1) 3110XX/3111XX COVERS THE FOLLOWING MODELS: 3110PP, 3110PS, 3110XP, 3110XS, 3111PP, 3111PS, 3111XP, 3111XS
- (2) REFER TO MEMO IN WINMAGI FOR PAINT SPECS

EXPLODED VIEW PAGE 2



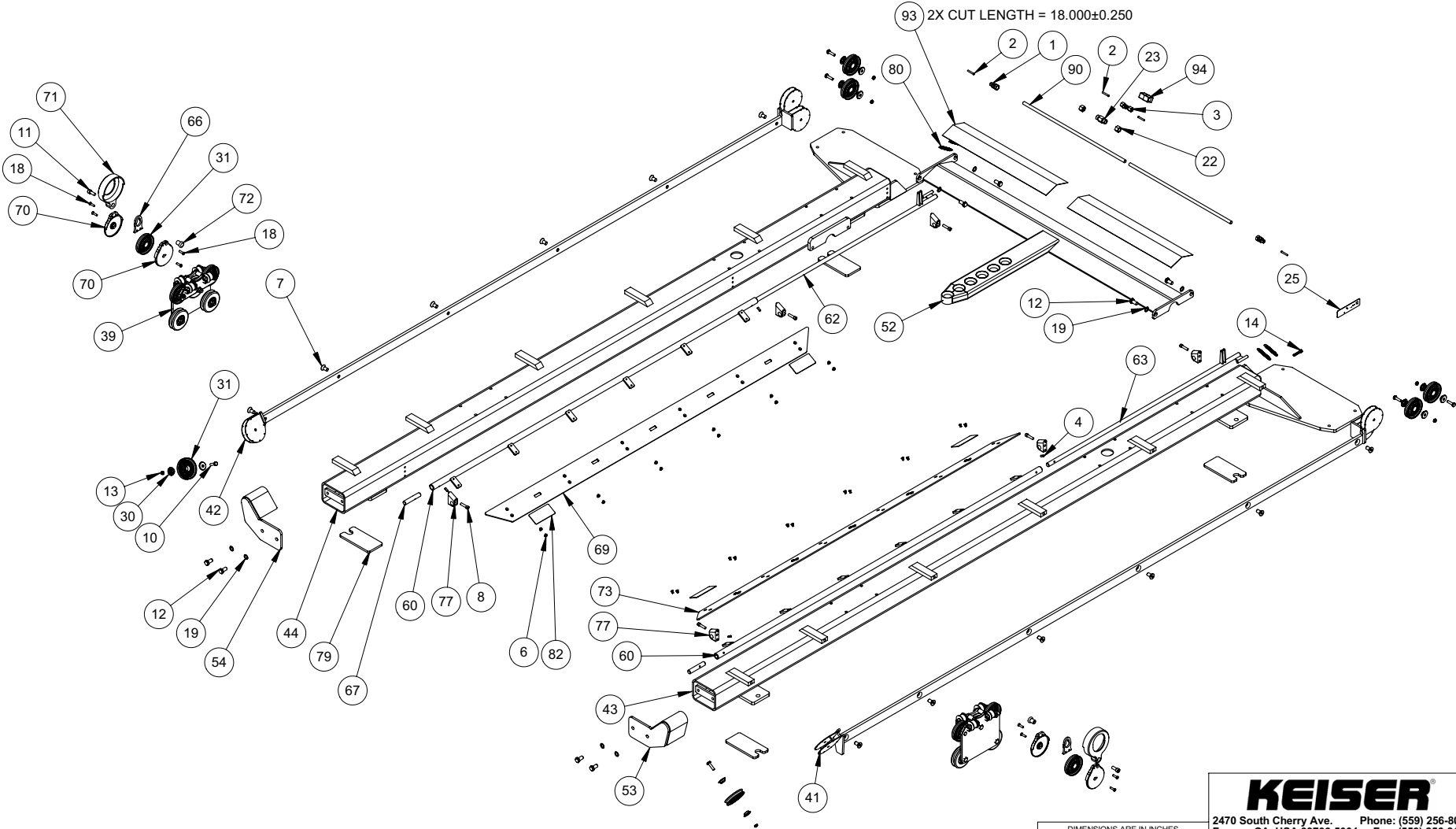
KEISER

2470 South Cherry Ave. Phone: (559) 256-8000
 Fresno, CA, USA 93706-5004 Fax: (559) 256-8100
 THE INFORMATION DISCLOSED HEREIN WAS ORIGINATED BY AND IS THE PROPERTY OF KEISER CORP. AND ALL PATENT, PROPRIETARY, DESIGN, USE, SALE, MANUFACTURING, AND REPRODUCTION RIGHTS THERETO ARE RESERVED BY KEISER CORP.

DIMENSIONS ARE IN INCHES DIMENSIONS IN [] ARE MILLIMETERS BREAK SHARP EDGES .005-.015 [10-.40] MACHINED SURFACE FINISH IS 63 MICRINCHES [1.6 MICROMETERS]		DO NOT SCALE DRAWING	
DRAWN BY: MAC	DATE DRAWN: 07/05/07	CHECKED BY: DEM	DATE CHECKED: 12/2/08
MATERIAL: RAW MAT:			
TITLE: 8' & 9' POWER RACK		DRAWING SIZE: B PART#: 3110XX/3111XX	
SHEET 1 OF 5		SCALE: 1:40	

REV	ECO	REVISION DESCRIPTION	BY	CKD	DATE

3110XX/3111XX



X:\drawings\1_REV\VISION\31_FREE_WEIGHTS\ PRINTED ON: 5/4/2009 SW2001.V5

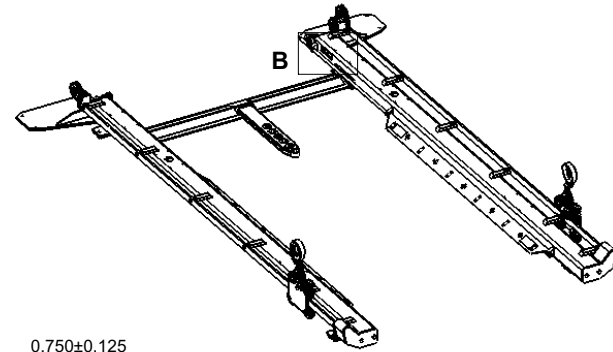
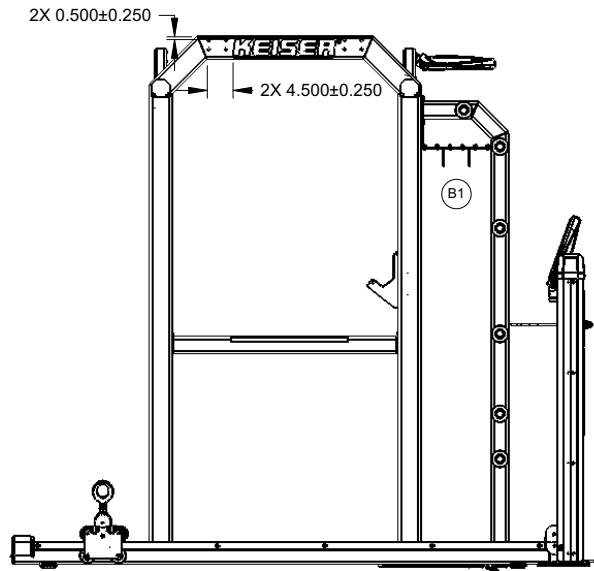
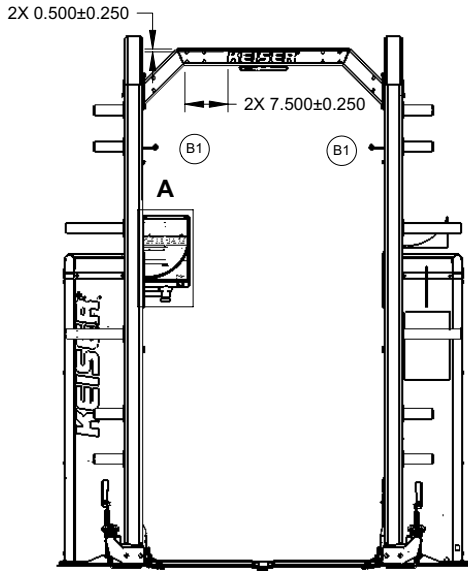
KEISER

2470 South Cherry Ave. Phone: (559) 256-8000
 Fresno, CA, USA 93706-5004 Fax: (559) 256-8100
 THE INFORMATION DISCLOSED HEREIN WAS ORIGINATED BY
 AND IS THE PROPERTY OF KEISER CORP. AND ALL PATENT,
 PROPRIETARY, DESIGN, USE, SALE, MANUFACTURING, AND
 REPRODUCTION RIGHTS THERETO ARE RESERVED BY KEISER
 CORP.

DIMENSIONS ARE IN INCHES
 DIMENSIONS IN [] ARE MILLIMETERS
 BREAK SHARP EDGES .005-.015 [10-.40]
 MACHINED SURFACE FINISH IS
 63 MICRINCHES [1.6 MICROMETERS]
 DO NOT SCALE DRAWING

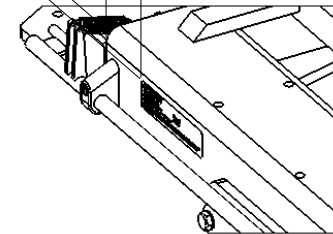
REV	ECO	(1) PICTORIAL UPDATE (2) REM 9202, 9208, 9228, 310982, 311852 ADD 9394	BY	CKD	DATE	4/29/09	SHEET	2 OF 5	SCALE:	1:12	DRAWING SIZE:	B	PART#:	3110XX/3111XX
B	2986	(6) REM 1 QTY 600881, ADD 990828	DEM	DLK	4/29/09		DRAWN BY:	MAC	DATE DRAWN:	07/05/07	CHECKED BY:	DEM	DATE CHECKED:	12/2/08
B	2986	(3) 9121 WAS QTY 4 (4) 9200 WAS QTY 64 (5) 9355 WAS QTY 80	DEM	DLK	4/29/09		MATERIAL:							
B	2986	(1) PICTORIAL UPDATE (2) REM 9202, 9208, 9228, 310982, 311852 ADD 9394	DEM	DLK	4/29/09		RAW MAT:							
TITLE:											8' & 9' POWER RACK			

3110XX/3111XX



0.750±0.125
MEASURED FROM
TOP OF TUBE

2.250±0.250



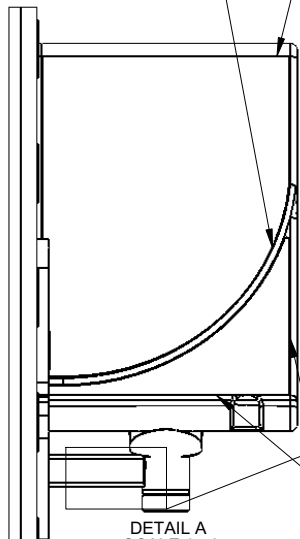
DETAIL B
SCALE 1 : 4

PLACE PLACARD TOUCHING OUTER CURVE
PLACE PLACARD TOUCHING TOP EDGE

ATTACH GROUND WIRE FROM INSIDE DISPLAY
TO SCREW ON LOWER SIDE OF TUBE AS SHOWN



CUT LENGTH = 23.000 ± 0.250 (91)



DETAIL A
SCALE 1 : 4

PLACE PLACARD PARALLEL
WITH EDGES

REV	ECO	REVISION DESCRIPTION	BY	CKD	DATE
B	2986	(6) REM 1 QTY 600881, ADD 990828	DEM	DLK	4/29/09
B	2986	(3) 9121 WAS QTY 4 (4) 9200 WAS QTY 64 (5) 9355 WAS QTY 80	DEM	DLK	4/29/09
B	2986	(1) PICTORIAL UPDATE (2) REM 9202, 9208, 9228, 310982, 311852 ADD 9394	DEM	DLK	4/29/09

DIMENSIONS ARE IN INCHES
DIMENSIONS IN [] ARE MILLIMETERS
BREAK SHARP EDGES 005-015 [10-.40]
MACHINED SURFACE FINISH IS
63 MICRONS [1.6 MICROMETERS]
DO NOT SCALE DRAWING

DRAWN BY: MAC DATE DRAWN: 07/05/07 CHECKED BY: DEM DATE CHECKED: 12/2/08

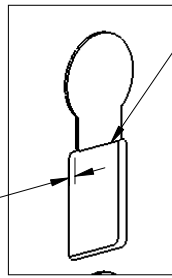
MATERIAL:
RAW MAT:

TITLE: **8' & 9' POWER RACK**

SHEET 3 OF 5 SCALE: 1:22 DRAWING SIZE: B PART#: 3110XX/3111XX

KEISER
2470 South Cherry Ave. Phone: (559) 256-8000
Fresno, CA, USA 93706-5004 Fax: (559) 256-8100
THE INFORMATION DISCLOSED HEREIN WAS ORIGINATED BY
AND IS THE PROPERTY OF KEISER CORP. AND ALL PATENT,
PROPRIETARY, DESIGN, USE, SALE, MANUFACTURING, AND
REPRODUCTION RIGHTS THERETO ARE RESERVED BY KEISER
CORP.

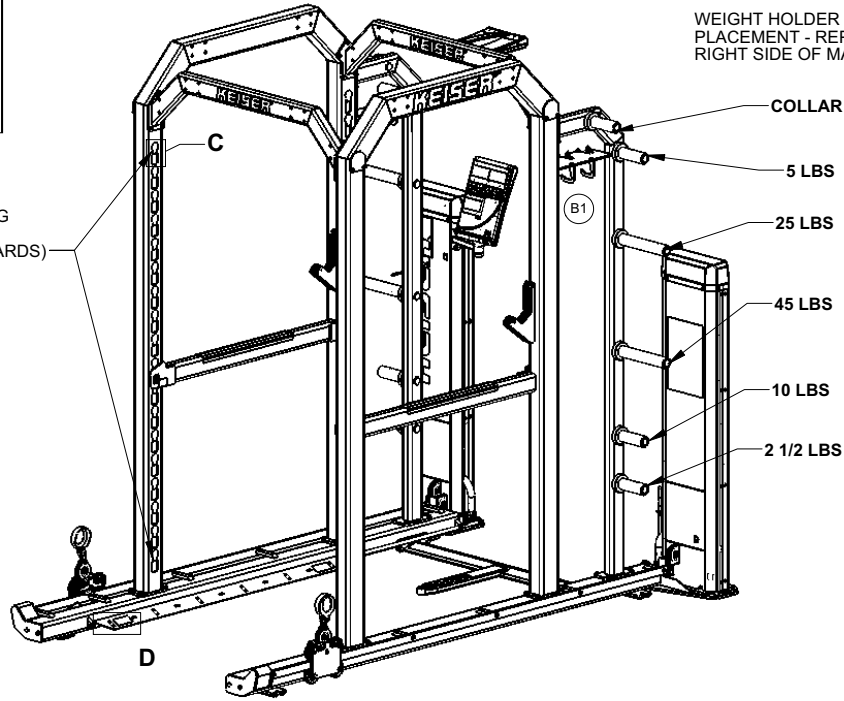
3110XX/3111XX



DETAIL C
SCALE 1 : 2

POSITION DECALS IN THE FOLLOWING ORDER: 1-9, 0, A, C, E, F, H, J, L, P (BEGIN AT BOTTOM AND WORK UPWARDS)

PLACE DECAL TOUCHING TOP EDGE OF CUTOUT



WEIGHT HOLDER DECAL PLACEMENT - REPEAT ON RIGHT SIDE OF MACHINE

COLLAR

5 LBS

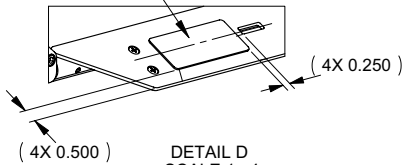
25 LBS

45 LBS

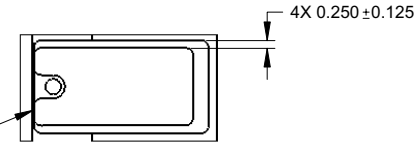
10 LBS

2 1/2 LBS

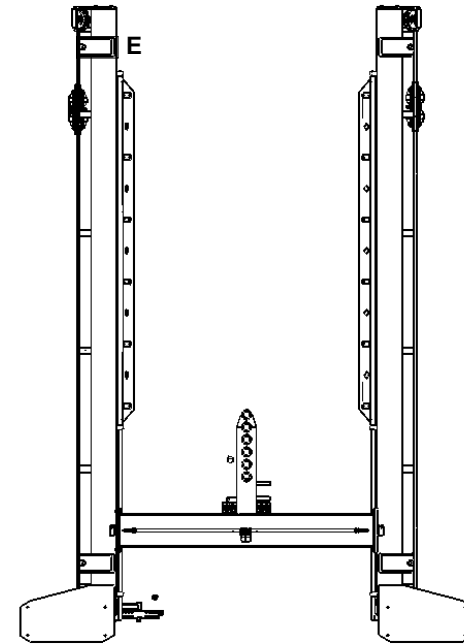
4X LOCATE DECALS AS SHOWN



DETAIL D
SCALE 1 : 4



DETAIL E
SCALE 1 : 4



KEISER

2470 South Cherry Ave. Phone: (559) 256-8000
Fresno, CA, USA 93706-5004 Fax: (559) 256-8100
THE INFORMATION DISCLOSED HEREIN WAS ORIGINATED BY AND IS THE PROPERTY OF KEISER CORP. AND ALL PATENT, PROPRIETARY, DESIGN, USE, SALE, MANUFACTURING, AND REPRODUCTION RIGHTS THERETO ARE RESERVED BY KEISER CORP.

DIMENSIONS ARE IN INCHES
DIMENSIONS IN [] ARE MILLIMETERS
BREAK SHARP EDGES 005-015 [10-40]
MACHINED SURFACE FINISH IS
63 MICRONS [1.6 MICROMETERS]
DO NOT SCALE DRAWING

REV	ECO	REVISION DESCRIPTION	BY	CKD	DATE	SHEET	SCALE	TITLE
B	2986	(6) REM 1 QTY 600881, ADD 990828	DEM	DLK	4/29/09	4 OF 5	1:20	8' & 9' POWER RACK
B	2986	(3) 9121 WAS QTY 4 (4) 9200 WAS QTY 64 (5) 9355 WAS QTY 80	DEM	DLK	4/29/09			
B	2986	(1) PICTORIAL UPDATE (2) REM 9202, 9208, 9228, 310982, 311852 ADD 9394	DEM	DLK	4/29/09			
<p>DRAWN BY: MAC DATE DRAWN: 07/05/07 CHECKED BY: DEM DATE CHECKED: 12/2/08</p> <p>MATERIAL: RAW MAT:</p> <p>DRAWING SIZE: B PART#: 3110XX/3111XX</p>								

92 ROPE - 5mm POLYESTER/NYLON

SINGLE MODULE CUT LENGTH = 516.000 ± 6.000 (43.0 FT ± 0.5 FT)

ROPING INSTRUCTIONS:

1. REFER TO DETAIL VIEWS F AND G AND ROUTE ROPE THROUGH PULLEYS. MATCH LETTERS, A TO A, B TO B, ETC... FOR CORRECT ROUTING FROM VIEW TO VIEW.

2. INSTALL FIRST CRIMP AS SPECIFIED IN DETAIL G. CUT OFF EXCESS ROPE, AND BURN THE END TO KEEP IT FROM FRAYING (SEE THE PICTURE FOR DETAIL).

3. PRESSURIZE CYLINDER TO 20 PSI.

4. INSTALL 2ND CRIMP SO THAT THERE IS A 3/4" GAP BETWEEN THE LOWER BRACKET AND THE PULLEY CABLE GUIDE WASHER (SEE SKETCH FAR RIGHT) THEN CRIMP, CUT, AND BURN THE FREE END. (SEE THE PICTURE FOR DETAIL)

5. REPEAT FOR ADJACENT MODULE.

START ROPE THROUGH CENTER HOLE AS SHOWN

CUT AND BURN FREE END

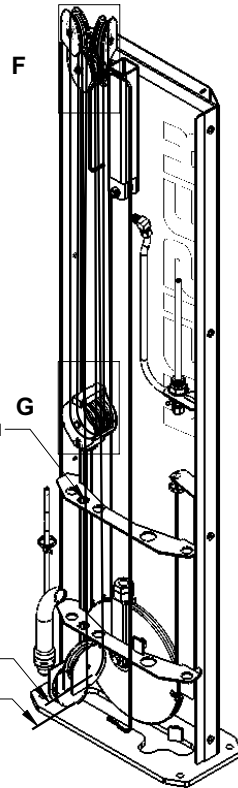


LEFT SIDE OF PULLEY CARRIAGE FIRST CRIMP

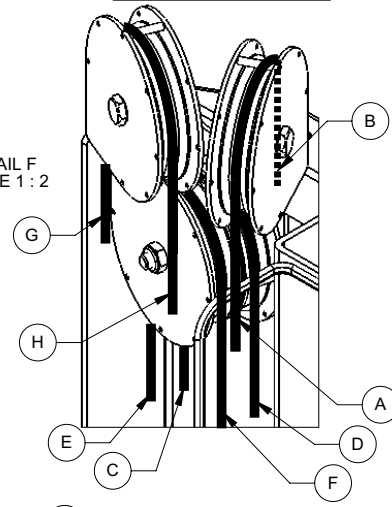


RIGHT SIDE OF PULLEY CARRIAGE SECOND CRIMP

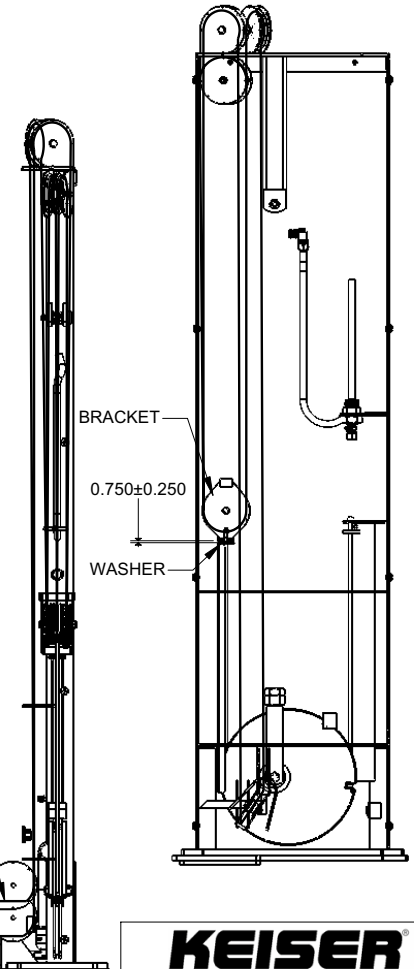
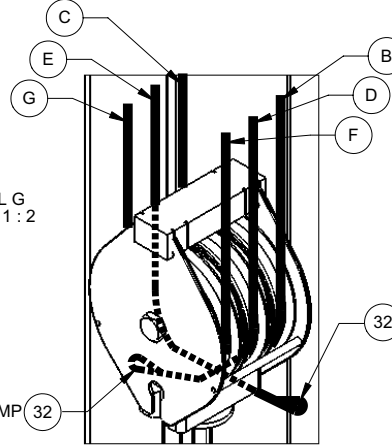
3110XX/3111XX



DETAIL F SCALE 1 : 2



DETAIL G SCALE 1 : 2



BRACKET
0.750±0.250
WASHER

DIMENSIONS ARE IN INCHES
DIMENSIONS IN [] ARE MILLIMETERS
BREAK SHARP EDGES 005-015 [10-40]
MACHINED SURFACE FINISH IS
63 MICRINCHES [1.6 MICROMETERS]
DO NOT SCALE DRAWING

REV	ECO	(1) PICTORIAL UPDATE (2) REM 9202, 9208, 9228, 310982, 311852 ADD 9394	BY	CKD	DATE	SHEET	5 OF 5	SCALE	1:8	DRAWING SIZE	B	PART#	3110XX/3111XX
B	2986	(6) REM 1 QTY 600881, ADD 990828	DEM	DLK	4/29/09	DRAWN BY:	MAC	DATE DRAWN:	07/05/07	CHECKED BY:	DEM	DATE CHECKED:	12/2/08
B	2986	(3) 9121 WAS QTY 4 (4) 9200 WAS QTY 64 (5) 9355 WAS QTY 80	DEM	DLK	4/29/09	MATERIAL:		RAW MAT:					
B	2986	(1) PICTORIAL UPDATE (2) REM 9202, 9208, 9228, 310982, 311852 ADD 9394	DEM	DLK	4/29/09	TITLE:	8' & 9' POWER RACK						

KEISER
2470 South Cherry Ave. Phone: (559) 256-8000
Fresno, CA, USA 93706-5004 Fax: (559) 256-8100
THE INFORMATION DISCLOSED HEREIN WAS ORIGINATED BY AND IS THE PROPERTY OF KEISER CORP. AND ALL PATENT, PROPRIETARY, DESIGN, USE, SALE, MANUFACTURING, AND REPRODUCTION RIGHTS THERETO ARE RESERVED BY KEISER CORP.

X:\drawings\1_REVISION\31_FREE_WEIGHTS\ PRINTED ON: 5/4/2009 SW2001.V5